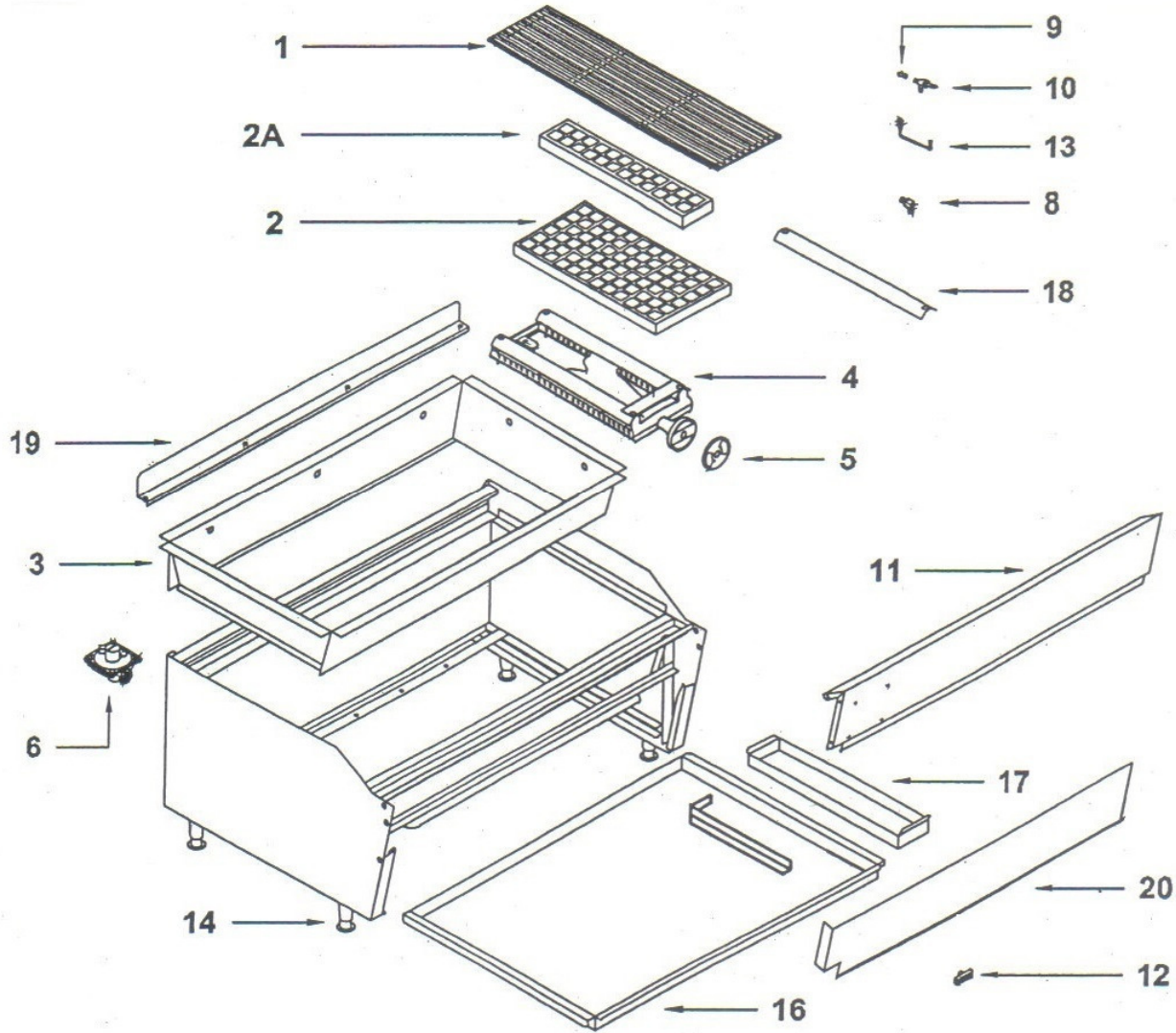


RANKIN-DELUX, INC. MODEL 2300 LAVA ROCK TYPE CHARBROILER



WHEN ORDERING PARTS, PLEASE PROVIDE THE FOLLOWING INFORMATION

- A. MODEL NUMBER C. PART NUMBER
- B. SERIAL NUMBER D. TYPE OF GAS

12/4/13

ITEM	PART #	DESCRIPTION	LIST \$\$	ITEM	PART #	DESCRIPTION	LIST \$\$
1	RDLR-01	TOP GRATE (5" X 21")		9	RDLR-09A	ORIFICE, LP	
1	RDLR-01A	TOP GRATE (6" X 21") - FOR 1223 ONLY		10	RDLR-10	BURNER VALVE WITHOUT ORIFICE	
2	RDLR-02	BOTTOM GRATE (8" X 15")		11	RDLR-11	FRONT PANEL (SPECIFY MODEL)	
2	RDLR-02A	BOTTOM GRATE (3" X 15")		12	RDLR-12	KNOB	
3	RDLR-12-03	RADIANT PAN - FOR 1223-C		13	RDLR-13	PILOT TUBE W/TIP - FOR DOUBLE ADJ. VALVE	
3	RDLR-21-03	RADIANT PAN - FOR 2123-C		13	RDLR-13A	PILOT TUBE W/TIP - FOR SINGLE ADJ. VALVE	
3	RDLR-32-03	RADIANT PAN - FOR 3223-C		13	RDLR-13B	PILOT TUBE W/TIP - FOR SINGLE ADJ. VALVE (FOR 1223-C)	
3	RDLR-42-03	RADIANT PAN - FOR 4223-C		14	RDLR-14	ADJUSTABLE LEG	
3	RDLR-52-03	RADIANT PAN - FOR 5223-C		16	RDLR-12-16	DRIP TRAY - FOR 1223-C	
3	RDLR-62-03	RADIANT PAN - FOR 6223-C		16	RDLR-21-16	DRIP TRAY - FOR 2123-C	
3	RDLR-72-03	RADIANT PAN - FOR 7223-C		16	RDLR-32-16	DRIP TRAY - FOR 3223-C	
4	RDLR-04	BURNER W/AIR SHUTTER & S/S PORT PROTECTORS		16	RDLR-42-16	DRIP TRAY - FOR 4223-C	
5	RDLR-05	AIR SHUTTER ONLY		16	RDLR-52-16	DRIP TRAY - FOR 5223-C	
6	RDLR-06A	GAS REGULATOR 1/2", NAT - FOR 1223, 2123		16	RDLR-62-16	DRIP TRAY - FOR 6223-C (NEW UNIT REQUIRE 2)	
6	RDLR-06B	GAS REGULATOR 1/2", LP - FOR 1223, 2123		16	RDLR-72-16	DRIP TRAY - FOR 7223-C (NEW UNIT REQUIRE 2)	
6	RDLR-06C	GAS REGULATOR 3/4", NAT		17	RDLR-17	GREASE PAN / TRAY (3-1/4 X 15") - NEW UNIT	
6	RDLR-06D	GAS REGULATOR 3/4", L.P.		17	RDLR-17A	GREASE PAN / TRAY (2-1/2" X 14-13/16") - OLD UNIT	
8	RDLR-08	PILOT ADJUSTMENT VALVE - SINGLE		18	RDLR-18	S/S PORT PROTECTORS - 2 PER BURNER	
8	RDLR-08A	PILOT ADJUSTMENT VALVE - DOUBLE		19	RDLR-19	S/S BACK SPLASH (SPECIFY MODEL)	
9	RDLR-09	ORIFICE, NAT		20	RDLR-20	HEAT SHIELD (SPECIFY MODEL)	