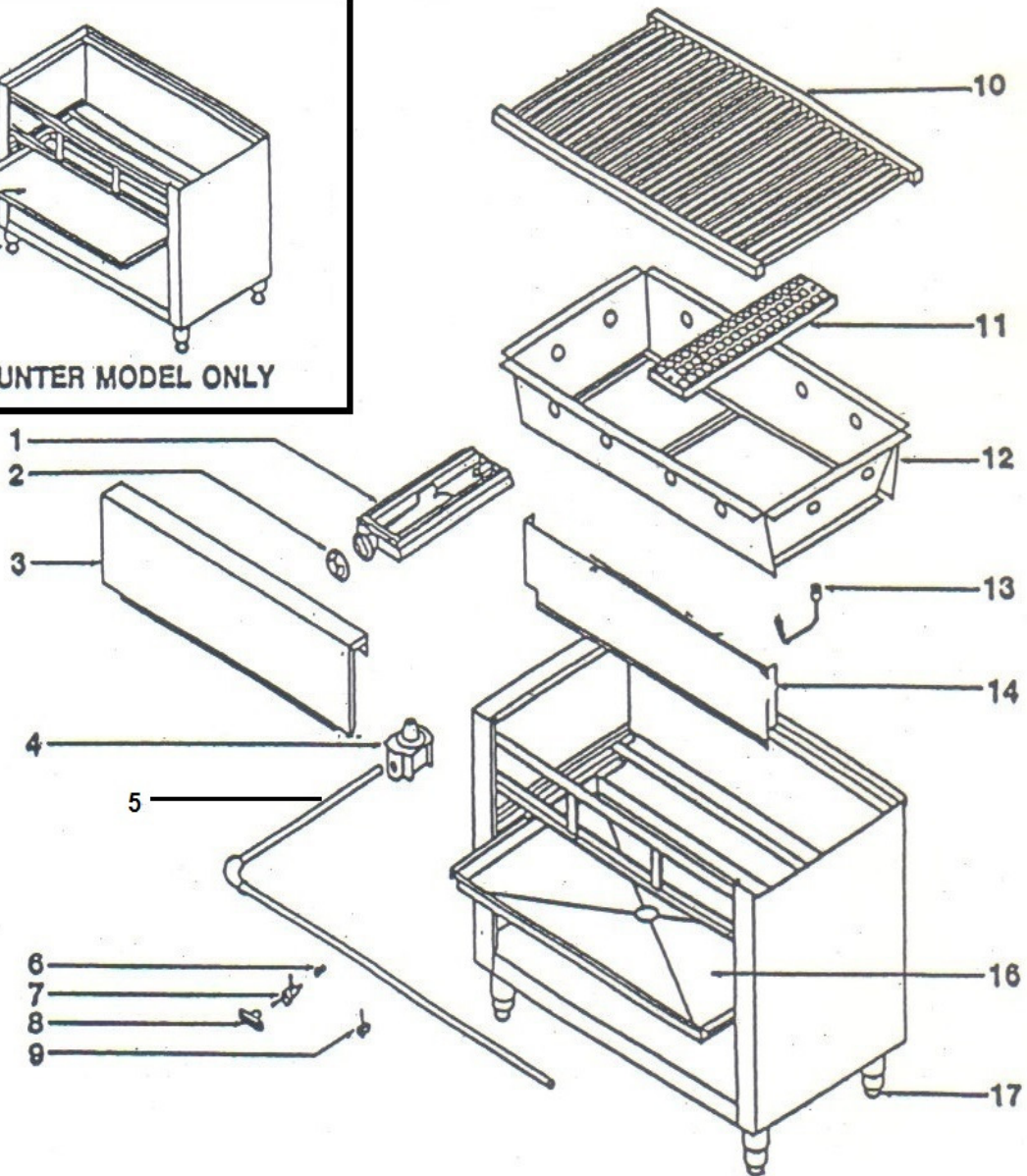
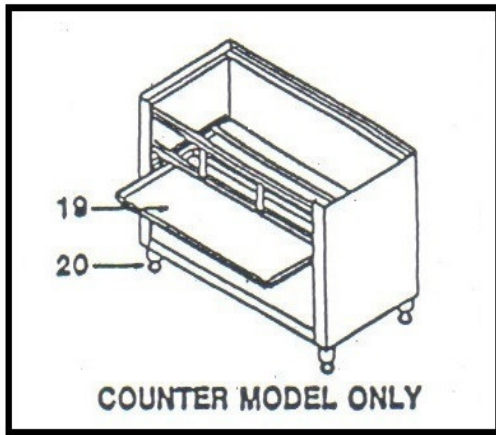


RANKIN-DELUX, INC. MODEL CB CERAMIC TYPE CHAR BROILER



WHEN ORDERING PARTS, PLEASE PROVIDE THE FOLLOWING INFORMATION

- A. MODEL NUMBER C. PART NUMBER
 B. SERIAL NUMBER D. TYPE OF GAS

ITEM	PART #	DESCRIPTION	LIST \$\$	ITEM	PART #	DESCRIPTION	LIST \$\$
1	CB-01	BURNER (6-1/4" X 22")		10	CB10	TOP GRATE	
2	CB-02	AIR SHUTTER ONLY		11	CB-11	BOTTOM GRATE (4" X 20")	
3	CB-03	FRONT PANEL		12	CB-12	RADIANT PAN	
4	CB-04	GAS REGULATOR 3/4", NAT		13	CB-13	PILOT TUBE WITH TIP	
4	CB-04A	GAS REGULATOR 3/4", LP		14	CB-14	HEAT SHIELD (DEFLECTOR)	
5	CB-05	MANIFOLD		16	CB-16	DRIP TRAY	
6	CB-06	ORIFICE, NAT		17	CB-17	BULLET FOOT ONLY	
6	CB-06A	ORIFICE, LP		17	CB-17A	BULLET FOOT ASSEMBLY	
7	CB-07	BURNER VALVE WITHOUT ORIFICE		19	CB-19	DRIP TRAY - COUNTER MODEL	
8	CB-08	KNOB		20	CB-20	BULLET FOOT ONLY-COUNTER MODEL	
9	CB-09	PILOT ADJUSTMENT VALVE - SINGLE		20	CB-20A	BULLET FOOT ASSEMBLY-COUNTER MODEL	