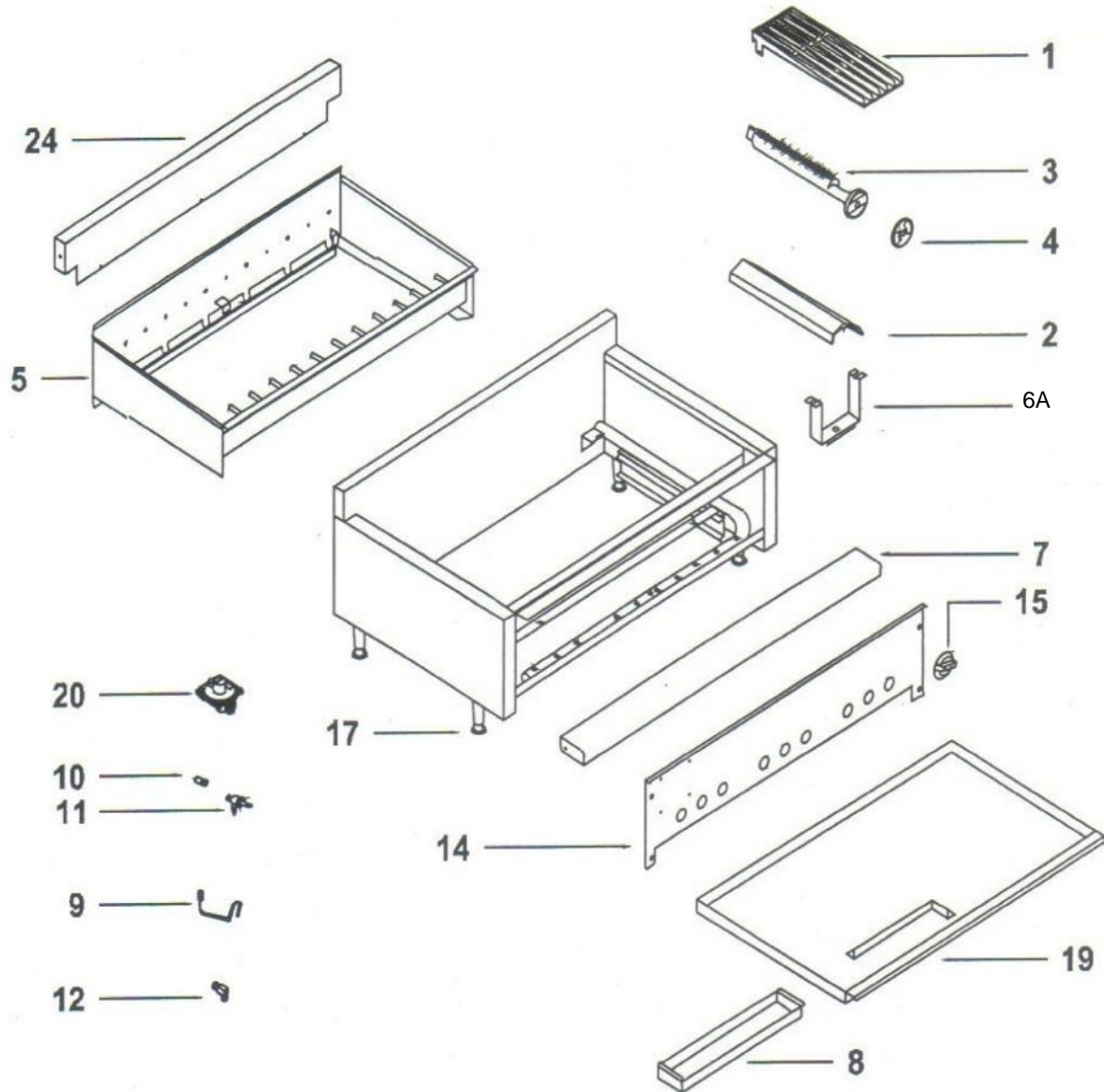


RANKIN-DELUX, INC. MODEL DRB RADIANT TYPE CHAR BROILER



WHEN ORDERING PARTS, PLEASE PROVIDE THE FOLLOWING INFORMATION

- A. MODEL NUMBER C. PART NUMBER
 B. SERIAL NUMBER D. TYPE OF GAS

11/19/2013

ITEM	PART #	DESCRIPTION	LIST \$\$	ITEM	PART #	DESCRIPTION	LIST \$\$
1	DRB-01	STANDARD TOP GRATE (5" X 17")		10	DRB-10	ORIFICE, NAT	
1	DRB-01A	FISH GRATE		10	DRB-10A	ORIFICE, LP	
2	DRB-02	CAST IRON RADIANT		11	DRB-11	BURNER VALVE WITHOUT ORIFICE	
3	DRB-03	BURNER WITH AIR SHUTTER		12	DRB-12	PILOT ADJUSTMENT VALVE - SINGLE	
4	DRB-04	AIR SHUTTER ONLY		12	DRB-12A	PILOT ADJUSTMENT VALVE - DOUBLE	
5	DRB-15-05	RADIANT PAN - FOR DRB-15-C		14	DRB-14	FRONT PANEL (SPECIFY MODEL)	
5	DRB-21-05	RADIANT PAN - FOR DRB-21-C		15	DRB-15	KNOB	
5	DRB-25-05	RADIANT PAN - FOR DRB-25-C		17	DRB-17	ADJUSTABLE LEG	
5	DRB-30-05	RADIANT PAN - FOR DRB-30-C		19	DRB-15-19	DRIP TRAY - FOR DRB-15-C	
5	DRB-36-05	RADIANT PAN - FOR DRB-36-C		19	DRB-21-19	DRIP TRAY - FOR DRB-21-C	
6	DRB-06	PILOT BRACKET - SINGLE		19	DRB-25-19	DRIP TRAY - FOR DRB-25-C	
6	DRB-06A	PILOT BRACKET - DOUBLE		19	DRB-30-19	DRIP TRAY - FOR DRB-30-C	
7	DRB-07	FRONT CAP (SPECIFY MODEL)		19	DRB-36-19	DRIP TRAY - FOR DRB-36-C	
8	DRB-08	GREASE PAN / TRAY (3-1/4" X 15")		20	DRB-20	GAS REGULATOR 3/4", NAT	
9	DRB-09	PILOT TUBE WITH TIP - FOR DOUBLE ADJ. VALVE		20	DRB-20A	GAS REGULATOR 3/4", LP	
9	DRB-09A	PILOT TUBE WITH TIP - FOR SINGLE ADJ. VALVE		24	DRB-24	BACK CAP (SPECIFY MODEL)	