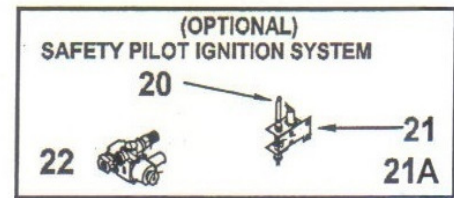
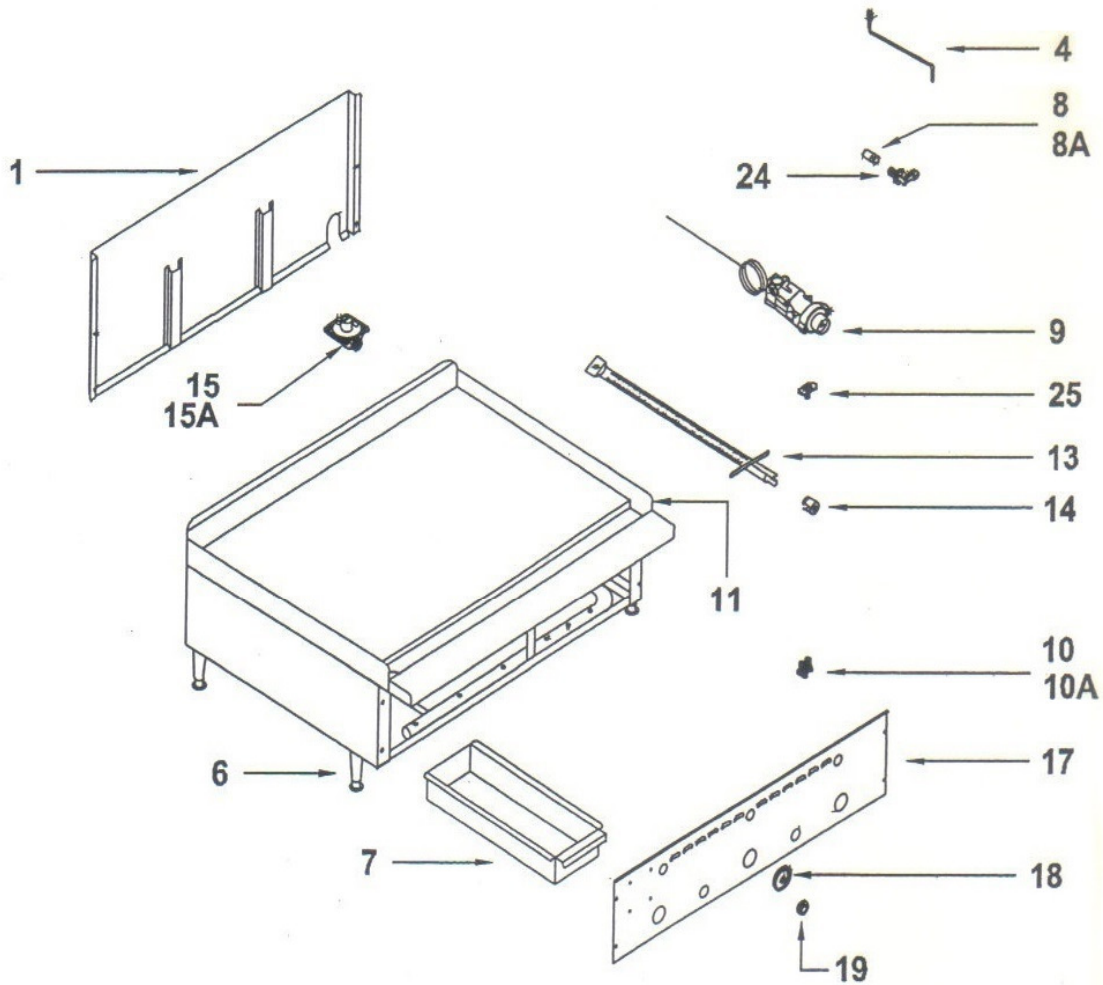


RANKIN-DELUX, INC. MODEL GT THERMOSTATIC CONTROL GRIDDLE



WHEN ORDERING PARTS, PLEASE PROVIDE THE FOLLOWING INFORMATION

- A. MODEL NUMBER C. PART NUMBER
 B. SERIAL NUMBER D. TYPE OF GAS

ITEM	PART #	DESCRIPTION	LIST \$\$	ITEM	PART #	DESCRIPTION	LIST \$\$
1	GT-01	BACK PANEL (SPECIFY MODEL)		13	GTRG-13A	BURNER FOR GTRG OLD MODELS (24K BTU, 20-3/4")	
4	GT-04	PILOT TUBE W/ TIP - FOR DOUBLE ADJ. VALVE		14	GT-14	AIR SHUTTER ONLY	
4	GT-04A	PILOT TUBE W/ TIP - FOR SINGLE ADJ. VALVE		15	GT-15	GAS REGULATOR 3/4", NAT	
6	GT-06	ADJUSTABLE LEG		15	GT-15A	GAS REGULATOR 3/4", LP	
7	GT-07	GREASE DRAWER / PAN (6" X 13")		17	GT-17	FRONT PANEL (SPECIFY MODEL)	
7	GTRG-07A	GREASE DRAWER / PAN FOR GTRG (6" X 24")		18	GT-18	BEZEL	
8	GT-08	ORIFICE, NAT		19	GT-19	KNOB	
8	GT-08A	ORIFICE, LP		20	GT-20	SAFETY THERMOCOUPLE	
9	GT-09	BJWA THERMOSTAT		21	GT-21	SAFETY PILOT, NAT	
10	GT-10	PILOT ADJUSTMENT VALVE - DOUBLE		21	GT-21A	SAFETY PILOT, L.P.	
10	GT-10A	PILOT ADJUSTMENT VALVE - SINGLE		22	GT-22	SAFETY VALVE - FOR TS11J PILOT SYSTEM	
11	GT-11	GRIDDLE PLATE ASSEMBLY (SPECIFY MODEL)		24	GT-24	ORIFICE ELBOW FITTING	
13	GT-13	BURNER WITH CROSS - OVER		25	GT-25	THERMOSTAT FLANGE	
13	GT-13A	BURNER FOR GTRG NEW MODELS (32K BTU, 21")					