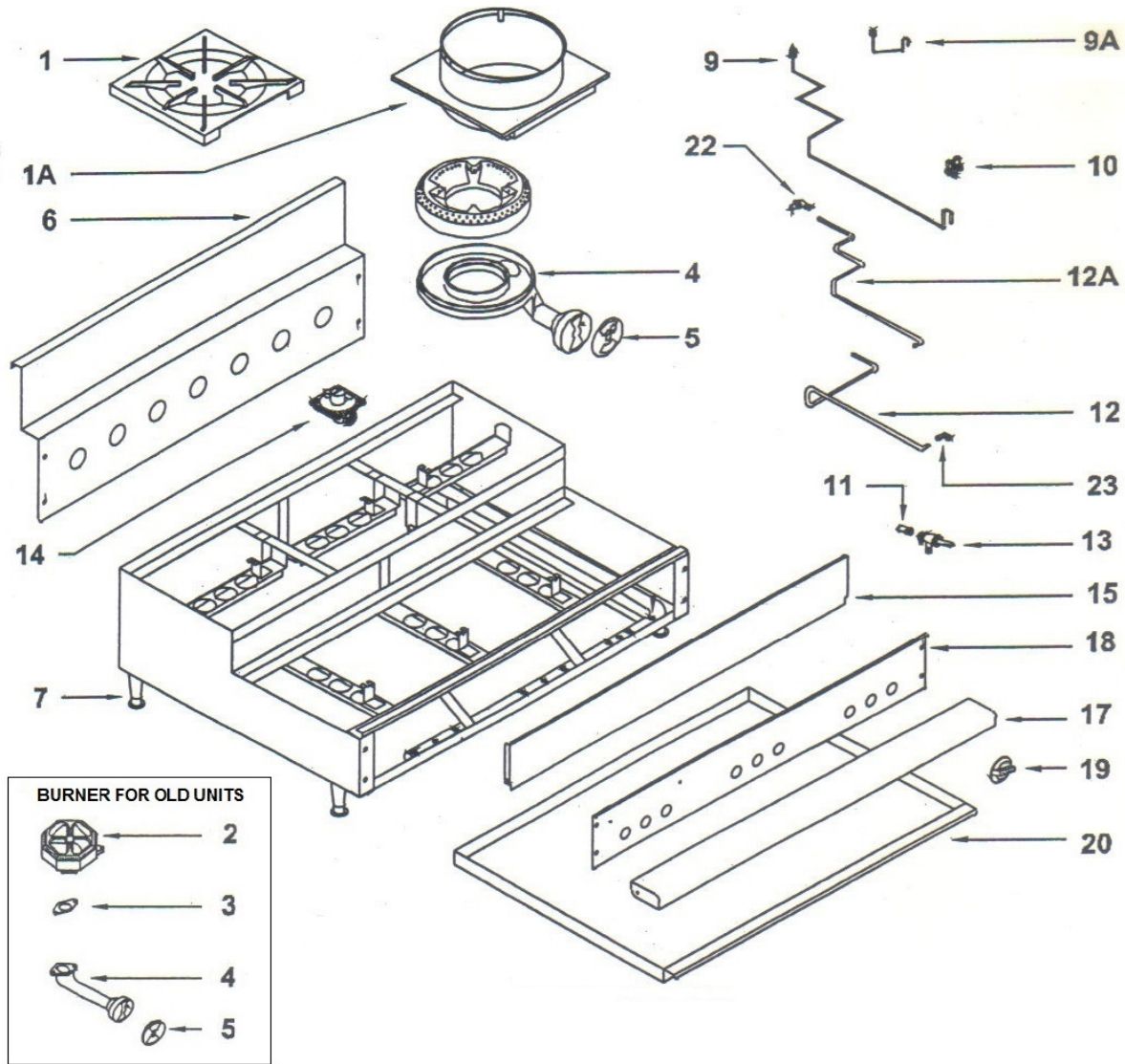


RANKIN-DELUX, INC. MODEL ORSU ORIENTAL STEP UP FLEX SYSTEM



WHEN ORDERING PARTS, PLEASE PROVIDE THE FOLLOWING INFORMATION

A. MODEL NUMBER C. PART NUMBER
B. SERIAL NUMBER D. TYPE OF GAS

ITEM	PART #	DESCRIPTION	LIST \$\$	ITEM	PART #	DESCRIPTION	LIST \$\$
1	ORSU-01	TOP GRATE (12" X 12")		11	ORSU-11A	ORIFICE, LP	
1	ORSU-01A	WOK RING TOP		12	ORSU-12	3/8" ALUM TUBING W/FITTINGS - 4 BEND	
2	ORSU-02	HEX BURNER HEAD ONLY - FOR OLD UNITS		12	ORSU-12A	3/8" ALUM TUBING W/FITTINGS - 6 BEND	
3	ORSU-03	GASKET W/SCREWS - FOR HEX BURNER HEAD		13	ORSU-13	BURNER VALVE WITHOUT ORIFICE	
4	ORSU-04	SHORT VENTURI W/AIR SHUTTER - FOR HEX BURNER HEAD		14	ORSU-14	GAS REGULATOR 3/4" NAT	
4	ORSU-E-C-04	EASY CLEAN BURNER W/SHORT VENTURI		14	ORSU-14A	GAS REGULATOR 3/4" LP	
5	ORSU-05	AIR SHUTTER ONLY		15	ORSU-15	MIDDLE PLATE (SPECIFY MODEL)	
6	ORSU-06	BACK SPLASH (SPECIFY MODEL)		17	ORSU-17	FRONT CAP (SPECIFY MODEL)	
7	ORSU-07	ADJUSTABLE LEG		18	ORSU-18	FRONT PANEL (SPECIFY MODEL)	
9	ORSU-09	PILOT TUBE W/ TIP - REAR (RIGHT/LEFT)		19	ORSU-19	KNOB	
9	ORSU-09A	PILOT TUBE W/ TIP - FRONT		20	ORSU-20	DRIP TRAY (SPECIFY MODEL)	
10	ORSU-10	PILOT ADJUSTMENT VALVE - DOUBLE		22	ORSU-22	ORIFICE ELBOW FITTING	
11	ORSU-11	ORIFICE, NAT		23	ORSU-23	FEMALE ELBOW FITTING - FOR BURNER VALVE	