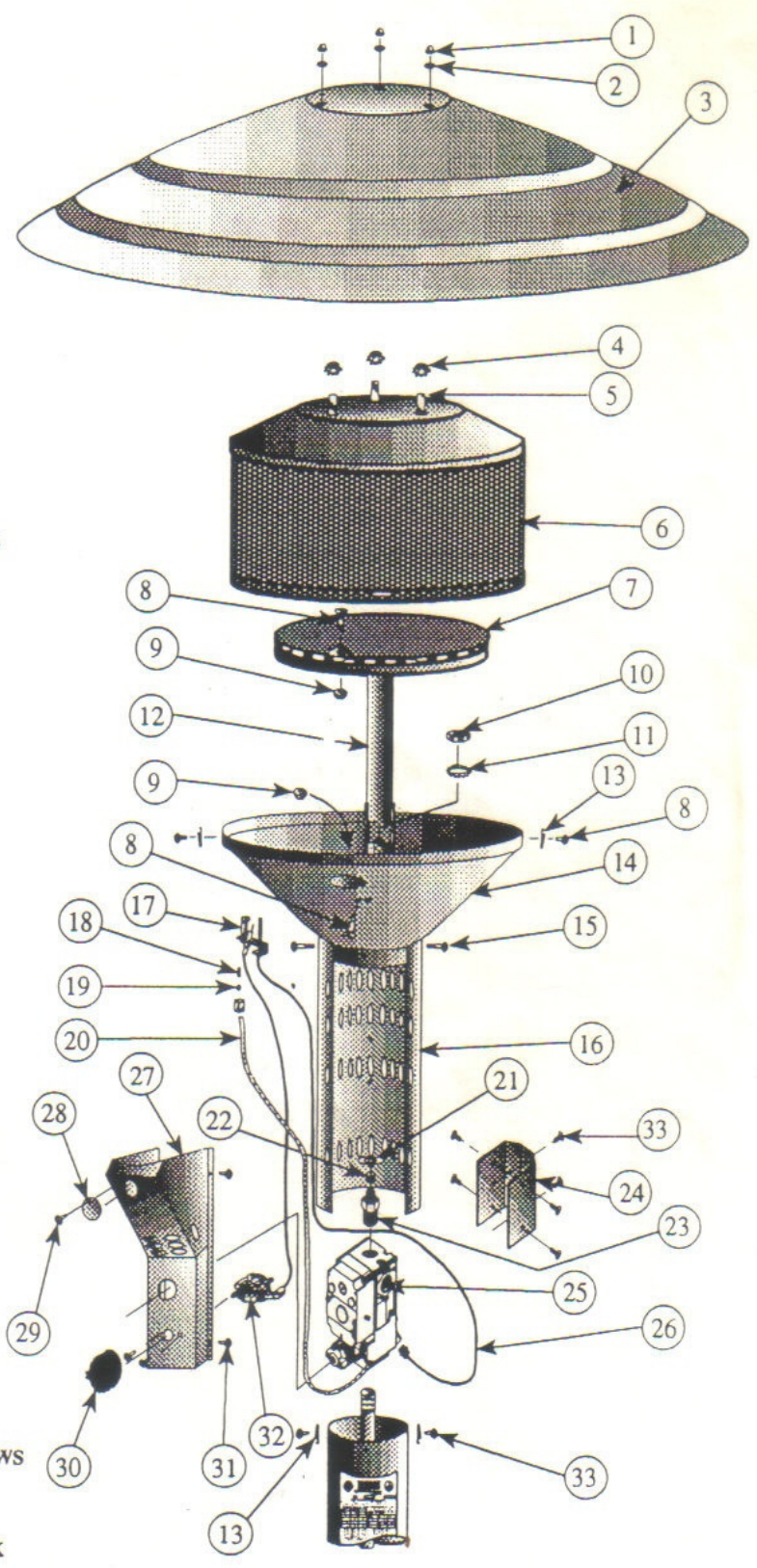


PARTS LIST

ITEM	PART NO.	DESCRIPTION
1.	RD-SH-01	1/4-20 ACORN NUT
2.	RD-SH-02	1/4 FLAT WASHER
3.	RD-SH-03	TOP CANOPY
4.	RD-SH-04	1/4-20 K-LOCK NUT
5.	RD-SH-05	1/4-20X3/4 HEX BOLT
6.	RD-SH-06	RADIANT SCREEN ASSEMBLY
7.	RD-SH-07	BURNER CASTING
8.	RD-SH-08	6-32X5/8 PHILLIPS PAN SCREW
9.	RD-SH-09	6-32 K-LOCK NUT
10.	RD-SH-10	1/4" BRASS LOCKNUT
11.	RD-SH-11	5/8" EXTERNAL TOOTH LOCKWASHER
12.	RD-SH-12	VENTURI ASSY.
13.	RD-SH-13	TINNERMAN CLIP
14.	RD-SH-14	RADIANT SCREEN ASSY. SUPPORT
15.	RD-SH-15	10-24X1 PHILLIPS PAN SCREW
16.	RD-SH-16	VALVE HOUSING
RD-SH-17		SPARK PILOT ASSY.-(NAT)
RD-SH-17A		SPARK PILOT ASSY.-(L.P.)
18.	RD-SH-18	PILOT ORIFICE FOR (NAT)
RD-SH-18A		PILOT ORIFICE FOR (L.P.)
19.	RD-SH-19	1/4 TUBING FERRULE
20.	RD-SH-20	PILOT TUBING
21.	RD-SH-21	SPACER
22.	RD-SH-22	FLAT TIP PLUG ORIFICE (NAT)
RD-SH-22A		FLAT TIP PLUG ORIFICE (L.P.)
23.	RD-SH-23	BRASS FITTING 3/8"MX1/4" M MPT
24.	RD-SH-24	GAS VALVE BRACKET
25.	RD-SH-25	MANUAL GAS VALVE
26.	RD-SH-26	2C THERMOCOUPLE 20"
27.	RD-SH-27	FRONT PANEL
28.	RD-SH-28	MANUAL PILOT LIGHT COVER
29.	RD-SH-29	8-32X3/8 PHILLIPS PAN SCREW
30.	RD-SH-30	KNOB SLIP-RATCHET W/WHITE ARROWS
31.	RD-SH-31	10-24X1/2 PHILLIPS TRUSS SCREW
32.	RD-SH-32	ROTARY SLIP-RATCHET SINGLE SPARK IGNITER
33.	RD-SH-33	10X1/2 PHILLIPS PAN SCREW



PARTS LIST

ITEM	PART NO.	DESCRIPTION
34.	RD-SH-34	1/2"X45" PIPE NIPPLE THREADED B/ENDS
35.	RD-SH-35	POST
36.	RD-SH-36	1/4-20 K-LOCK S/S NUT
37.	RD-SH-37	1/4-20X3/4 HEX BOLT S/S
38.	RD-SH-38	1/4 FLAT WASHER S/S
39.	RD-SH-39	TOP BODY SUPPORT
40.	RD-SH-40	8-23X 3/8 PHILLIPS PAN S/S SCREW
41.	RD-SH-41	FEMALE CONNECTOR 1/2" MPT X3/8" FLARE
42.	RD-SH-42	REGULATOR WITH HOSE
43.	RD-SH-43	BASE ACCESS DOOR
44.	RD-SH-44	BASE SUPPORT HOUSING
45.	RD-SH-45	10-24X1/2 PHILLIPS TRUSS S/S SCREW
46.	RD-SH-46	BASE FILLER COVER
47.	RD-SH-47	BASE SUPPORT HOUSING
48.	RD-SH-48	NATURAL CONVERSION KIT (not shown)

