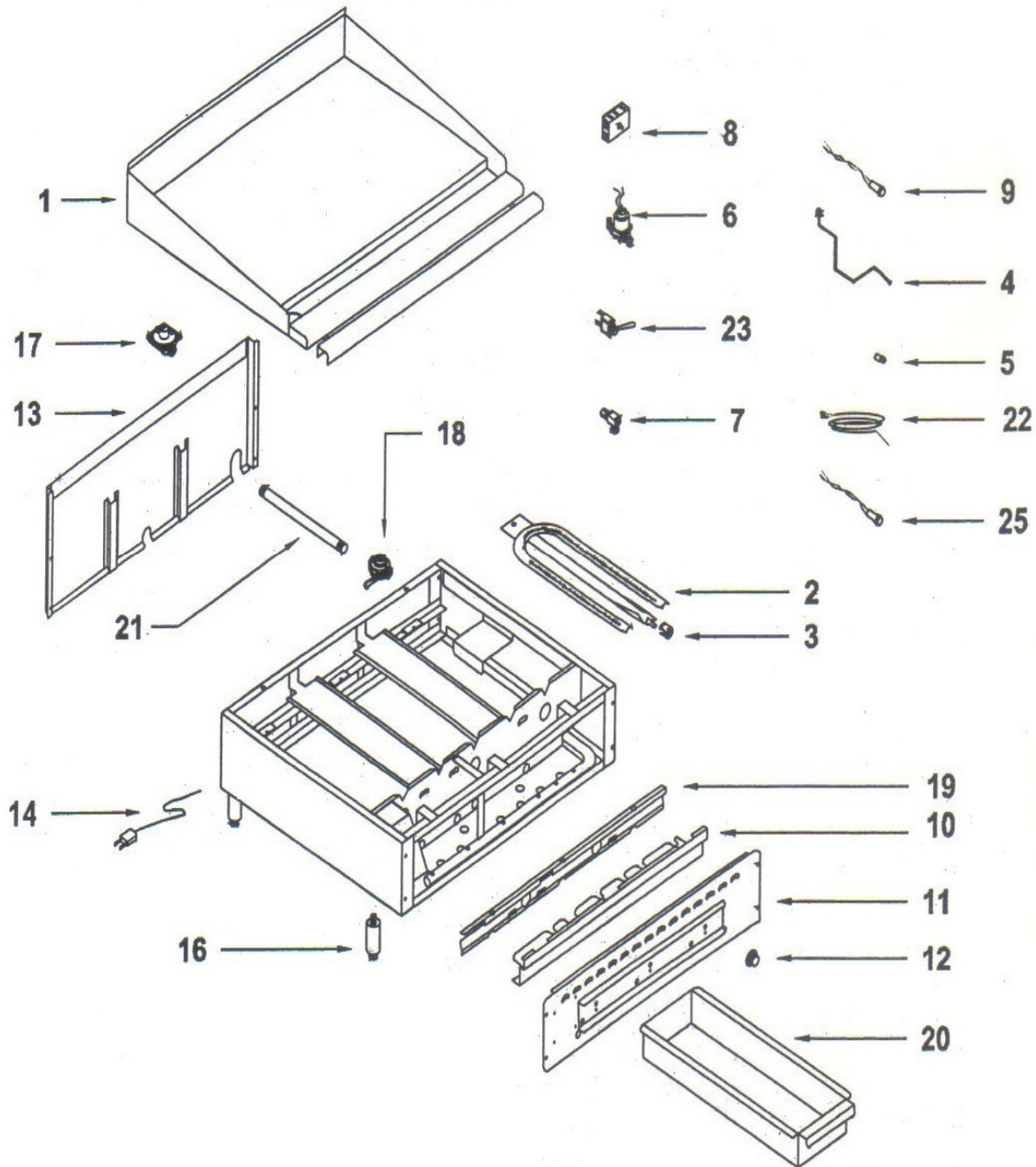


RANKIN-DELUX, INC. MODEL RD85 SOLID STATE GRIDDLE



WHEN ORDERING PARTS, PLEASE PROVIDE THE FOLLOWING INFORMATION

A. MODEL NUMBER C. PART NUMBER
B. SERIAL NUMBER D. TYPE OF GAS

| ITEM | PART # | DESCRIPTION | LIST \$\$ | ITEM | PART # | DESCRIPTION | LIST \$\$ |
|------|----------|--|-----------|------|----------|---|-----------|
| 1 | RD85-01 | GRIDDLE PLATE ASSEMBLY (SPECIFY MODEL) | | 13 | RD85-13 | BACK PANEL (SPECIFY MODEL) | |
| 2 | RD85-02 | BURNER WITH AIR SHUTTER | | 14 | RD85-14 | POWER CORD | |
| 3 | RD85-03 | AIR SHUTTER ONLY | | 16 | RD85-16 | ADJUSTABLE LEG | |
| 4 | RD85-04 | PILOT TUBE W/TIP - SPECIFY (RT/LT) (24K/32K BTU) | | 17 | RD85-17 | GAS REGULATOR 3/4", NAT | |
| 5 | RD85-05 | ORIFICE, NAT | | 17 | RD85-17A | GAS REGULATOR 3/4", LP | |
| 5 | RD85-05A | ORIFICE, LP | | 18 | RD85-18 | GAS SHUT OFF VALVE (REPLACEMENT PART ONLY) | |
| 6 | RD85-06 | SOLENOID VALVE | | 19 | RD85-19 | HEAT SHIELD WITH INSULATION (SPECIFY MODEL) | |
| 7 | RD85-07 | PILOT ADJUSTMENT VALVE - SINGLE ONLY | | 20 | RD85-20 | GREASE DRAWER / PAN (6" X 18") | |
| 8 | RD85-08 | SOLID STATE THERMOSTAT | | 21 | RD85-21 | EXTENSION PIPE (3/4" X 13-1/2") | |
| 9 | RD85-09 | BURNER IGNITION INDICATOR LIGHT - RED | | 22 | RD85-22 | SENSOR PROBE | |
| 10 | RD85-10 | FRONT COMPLETE HEAT SHIELD (SPECIFY MODEL) | | 23 | RD85-23 | TOGGLE SWITCH | |
| 11 | RD85-11 | FRONT PANEL (SPECIFY MODEL) | | 25 | RD85-25 | ON/OFF INDICATOR LIGHT - GREEN | |
| 12 | RD85-12 | KNOB | | | | | |