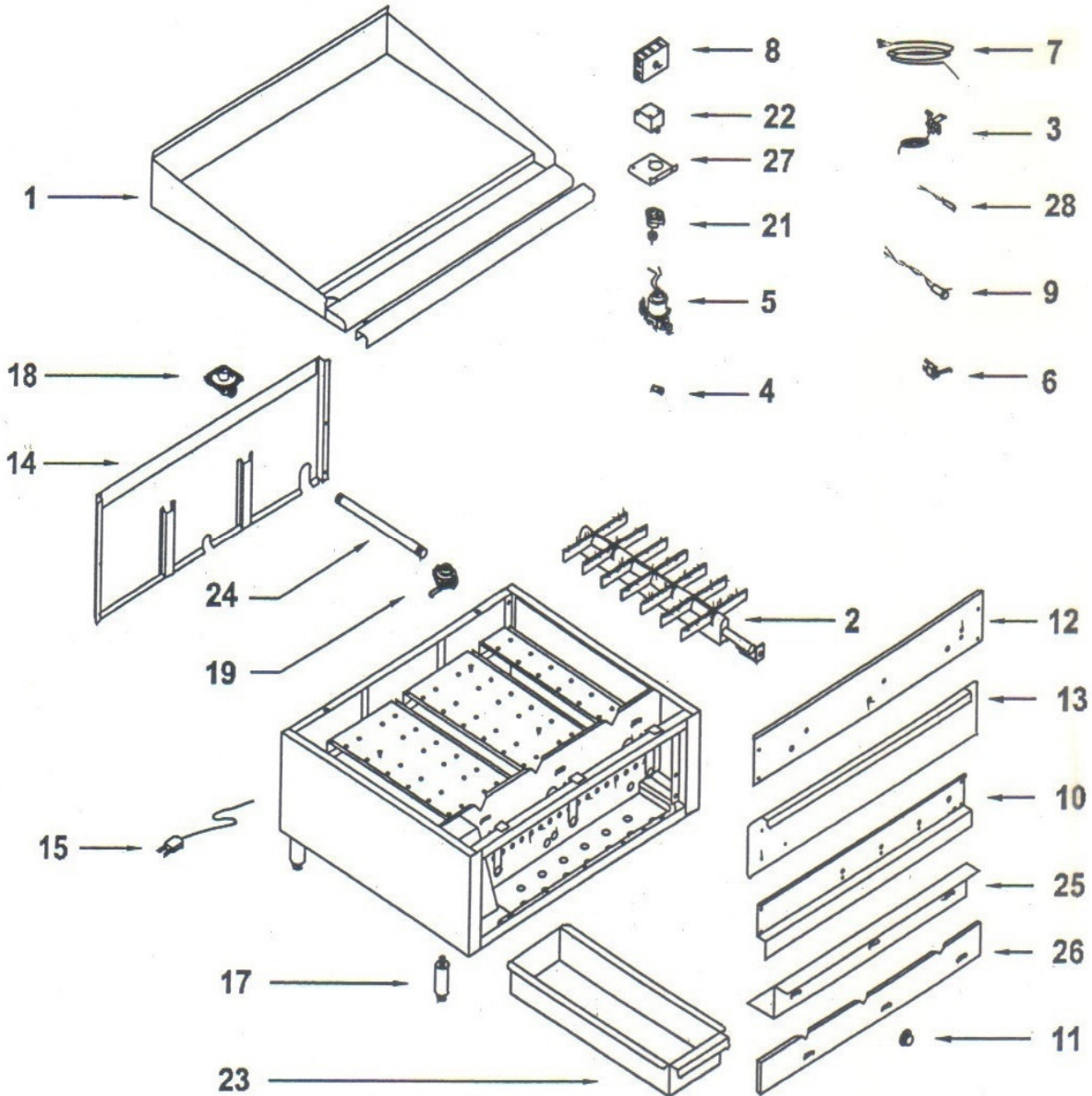


RANKIN-DELUX, INC. MODEL RD90 PULSAR GRIDDLE



RD-FS-21 RETROFIT KIT FOR FLAME SWITCH

WHEN ORDERING PARTS, PLEASE PROVIDE THE FOLLOWING INFORMATION

- A. MODEL NUMBER C. PART NUMBER
B. SERIAL NUMBER D. TYPE OF GAS

ITEM	PART #	DESCRIPTION	LIST \$\$	ITEM	PART #	DESCRIPTION	LIST \$\$
1	RD90-01	GRIDDLE PLATE ASSEMBLY (SPECIFY MODEL)		14	RD90-14	BACK PANEL (SPECIFY MODEL)	
2	RD90-02	BURNER		15	RD90-15	POWER CORD	
3	RD90-03	PILOT ASSEMBLY (SPECIFY GAS)		17	RD90-17	ADJUSTABLE LEG	
4	RD90-04	ORIFICE, NAT		18	RD90-18	GAS REGULATOR 3/4", NAT	
4	RD90-04A	ORIFICE, LP		18	RD90-18A	GAS REGULATOR 3/4", LP	
5	RD90-05	SOLENOID VALVE		19	RD90-19	GAS SHUT OFF VALVE (REPLACEMENT ONLY)	
6	RD90-06	TOGGLE SWITCH		21	RD90-21	FLAME SWITCH (DISCONTINUED)	
7	RD90-07	SENSOR PROBE		22	RD90-22	SPARK IGNITOR	
8	RD90-08	SOLID STATE THERMOSTAT		23	RD90-23	GREASE DRAWER / PAN (6" X 18")	
9	RD90-09	BURNER IGNITION INDICATOR LIGHT - RED		24	RD90-24	EXTENSION PIPE (3/4" X 13-1/2")	
10	RD90-10	CONTROL PANEL (SPECIFY MODEL)		25	RD90-25	INNER CONTROL COMPLETE HEAT SHIELD (SPECIFY MODEL)	
11	RD90-11	KNOB		26	RD90-26	BURNER COMPLETE HEAT SHIELD (SPECIFY MODEL)	
12	RD90-12	UPPER FRONT PANEL (SPECIFY MODEL)		27	RD90-27	BRACKET FOR IGNITOR AND FLAME SWITCH	
13	RD90-13	CONTROL COMPLETE DOOR (SPECIFY MODEL)		28	RD90-28	ON/OFF INDICATOR LIGHT - GREEN	