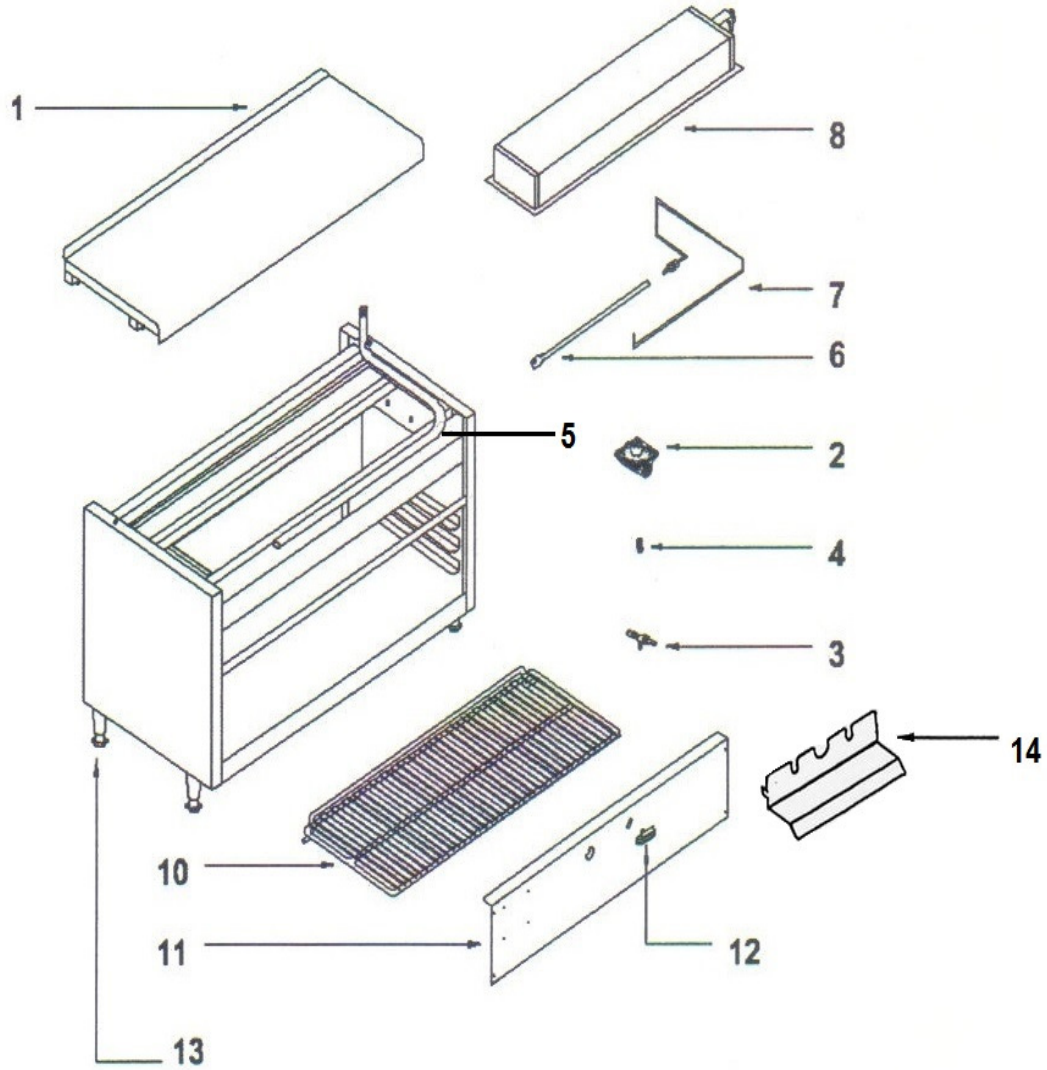


RANKIN-DELUX, INC. MODEL RDCM CHEESE MELTER / BROILER



WHEN ORDERING PARTS, PLEASE PROVIDE THE FOLLOWING INFORMATION

- A. MODEL NUMBER C. PART NUMBER
 B. SERIAL NUMBER D. TYPE OF GAS

ITEM	PART #	DESCRIPTION	LIST \$\$
1	RDCM-01	TOP COVER (SPECIFY MODEL)	
2	RDCM-02	GAS REGULATOR 3/4", NAT	
2	RDCM-02A	GAS REGULATOR 3/4", LP	
3	RDCM-03	BURNER VALVE WITHOUT ORIFICE	
3	RDCM-03A	ELBOW FITTING ONLY - FOR BURNER VALVE	
4	RDCM-04	PILOT ADJUSTMENT VALVE - SINGLE	
6	RDCM-06	LIGHTER ARM	
7	RDCM-07	PILOT TUBE ASSEMBLY 32" (SPECIFY RT/LT & GAS) - FOR MODELS RDCM-24 & 30	
7	RDCM-07A	PILOT TUBE ASSEMBLY 38" (SPECIFY RT/LT & GAS) - FOR MODEL RDCM-36	
7	RDCM-07B	PILOT TUBE ASSEMBLY 43" (SPECIFY RT/LT & GAS) - FOR MODEL RDCM-48, 60, & 72	
8	RDCM-08	CERAMIC BURNER 15" (SPECIFY GAS) - FOR MODEL RDCM-24, 48, & 60	
8	RDCM-08A	CERAMIC BURNER 27" (SPECIFY GAS & BTU) - FOR MODEL RDCM-36 & 72	
8	RDCM-08B	CERAMIC BURNER 19" (SPECIFY GAS) - FOR MODEL RDCM-30	
10	RDCM-10	WIRE RACK (SPECIFY MODEL)	
11	RDCM-11	FRONT PANEL (SPECIFY MODEL)	
12	RDCM-12	KNOB	
13	RDCM-13	ADJUSTABLE LEG	
14	RDCM-14	HEAT SHIELD (SPECIFY MODEL & SERIAL#) - FOR OLD UNITS	