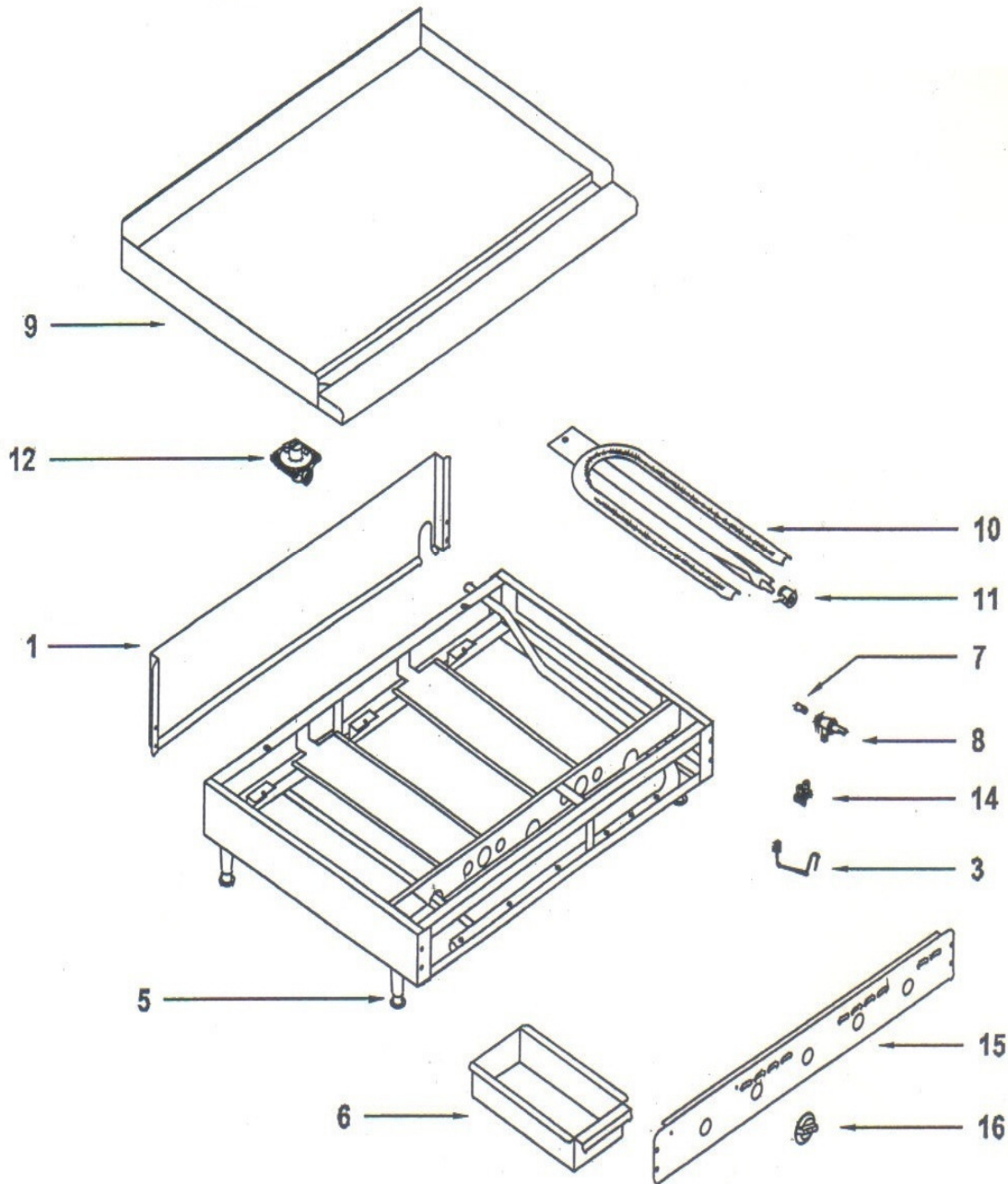


RANKIN-DELUX, INC. MODEL RDGM-1800 MANUAL CONTROL GRIDDLE



WHEN ORDERING PARTS, PLEASE PROVIDE THE FOLLOWING INFORMATION

- A. MODEL NUMBER C. PART NUMBER
 B. SERIAL NUMBER D. TYPE OF GAS

| ITEM | PART # | DESCRIPTION | LIST \$\$ | ITEM | PART # | DESCRIPTION | LIST \$\$ |
|------|-------------|---|-----------|------|-------------|---------------------------------|-----------|
| 1 | RDGM-18-01 | BACK PANEL (SPECIFY MODEL) | | 10 | RDGM-18-10 | BURNER WITH AIR SHUTTER | |
| 3 | RDGM-18-03 | PILOT TUBE WITH TIP - FOR DOUBLE ADJ. VALVE | | 11 | RDGM-18-11 | AIR SHUTTER ONLY | |
| 3 | RDGM-18-03A | PILOT TUBE WITH TIP - FOR SINGLE ADJ. VALVE | | 12 | RDGM-18-12 | REGULATOR, NAT | |
| 5 | RDGM-18-05 | ADJUSTABLE LEG | | 12 | RDGM-18-12A | REGULATOR, LP | |
| 6 | RDGM-18-06 | GREASE DRAWER / PAN (6" X 13") | | 14 | RDGM-18-14 | PILOT ADJUSTMENT VALVE - DOUBLE | |
| 7 | RDGM-18-07 | ORIFICE, NAT | | 14 | RDGM-18-14A | PILOT ADJUSTMENT VALVE - SINGLE | |
| 7 | RDGM-18-07A | ORIFICE, LP | | 15 | RDGM-18-15 | FRONT PANEL (SPECIFY MODEL) | |
| 8 | RDGM-18-08 | BURNER VALVE WITHOUT ORIFICE | | 16 | RDGM-18-16 | KNOB | |
| 9 | RDGM-18-09 | GRIDDLE PLATE ASSEMBLY (SPECIFY MODEL) | | | | | |