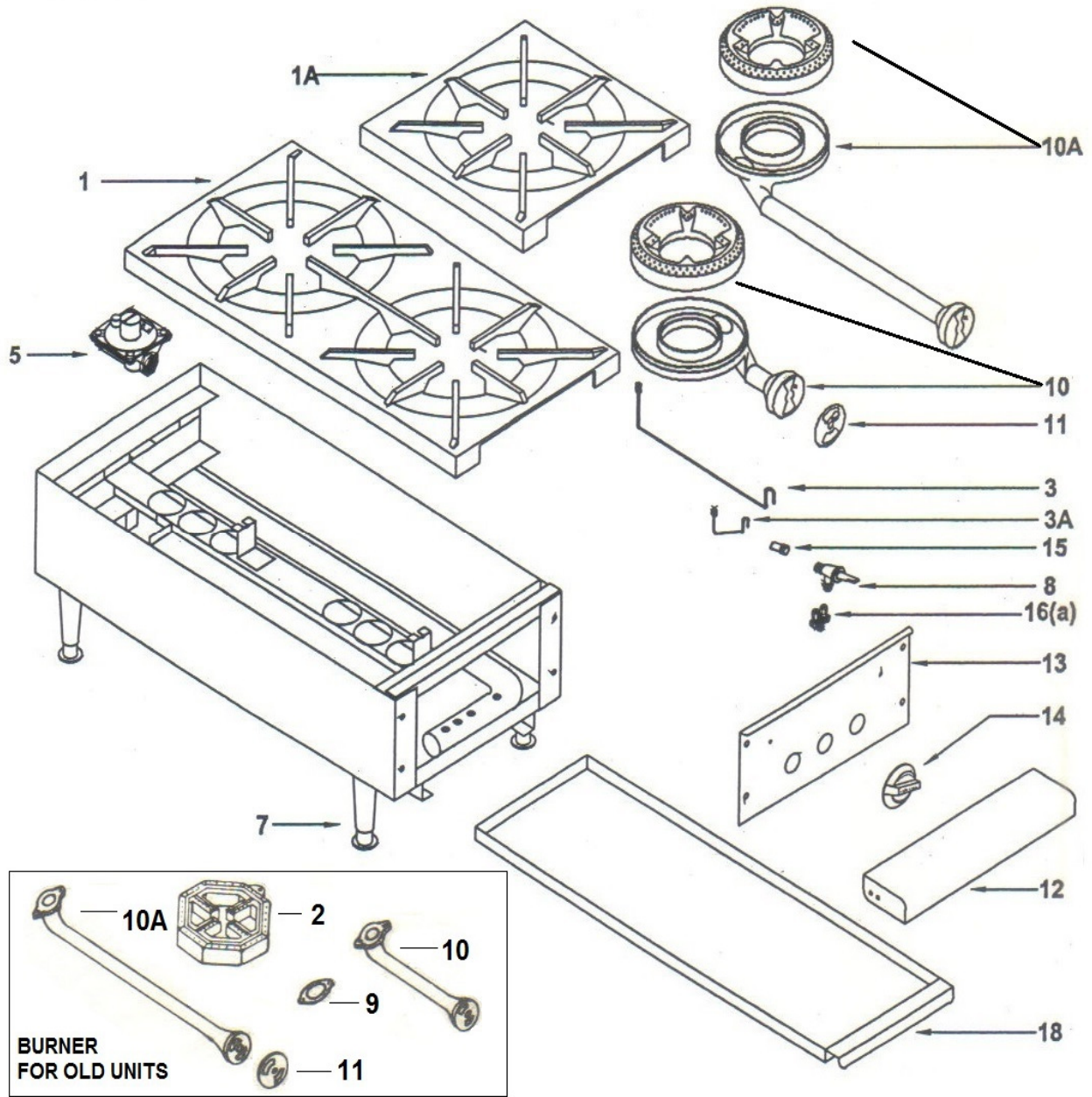


RANKIN-DELUX, INC. MODEL RDHP OPEN BURNER HOT PLATE



WHEN ORDERING PARTS, PLEASE PROVIDE THE FOLLOWING INFORMATION

A. MODEL NUMBER C. PART NUMBER
B. SERIAL NUMBER D. TYPE OF GAS

ITEM	PART #	DESCRIPTION	LIST \$\$	ITEM	PART #	DESCRIPTION	LIST \$\$
1	RDHP-01	TOP GRATE (12" X 24")		10	RDHP-E-C-10	EASY CLEAN BURNER W/SHORT VENTURI	
1	RDHP-01A	TOP GRATE (12" X 12")		10	RDHP-E-C-10A	EASY CLEAN BURNER W/LONG VENTURI	
2	RDHP-02	HEX BURNER HEAD ONLY - FOR OLD UNITS		11	RDHP-11	AIR SHUTTER ONLY	
3	RDHP-03	PILOT TUBE W/ TIP - REAR		12	RDHP-12	FRONT CAP (SPECIFY MODEL)	
3	RDHP-03A	PILOT TUBE W/ TIP - FRONT		13	RDHP-13	FRONT PANEL (SPECIFY MODEL)	
3	RDHP-03B	PILOT TUBE W/ TIP - FOR RDHP-112, 224, 336		14	RDHP-14	KNOB	
5	RDHP-05	GAS REGULATOR 3/4", NAT		15	RDHP-15	ORIFICE, NAT - FOR OLD UNITS (20,000 BTU)	
5	RDHP-05A	GAS REGULATOR 3/4", LP		15	RDHP-15A	ORIFICE, LP - FOR OLD UNITS (17,500 BTU)	
7	RDHP-07	ADJUSTABLE LEG		15	RDHP-E-C-15	ORIFICE, NAT - FOR EASY CLEAN (30,000 BTU)	
8	RDHP-08	BURNER VALVE WITHOUT ORIFICE		15	RDHP-E-C-15A	ORIFICE, LP - FOR EASY CLEAN (30,000 BTU)	
9	RDHP-09	GASKET W/SCREWS - FOR HEX BURNER HEAD		16	RDHP-16	PILOT ADJUSTMENT VALVE - FOR RDHP-112, 224, 336	
10	RDHP-10	SHORT VENTURI W/AIR SHUTTER - FOR HEX BURNER HEAD		16	RDHP-16A	PILOT ADJUSTMENT VALVE - DOUBLE	
10	RDHP-10A	LONG VENTURI W/AIR SHUTTER - FOR HEX BURNER HEAD		18	RDHP-18	DRIP TRAY (SPECIFY MODEL)	

PARTS LIST: RDHP - 112, 212, 224, 336, 424, 636, 848