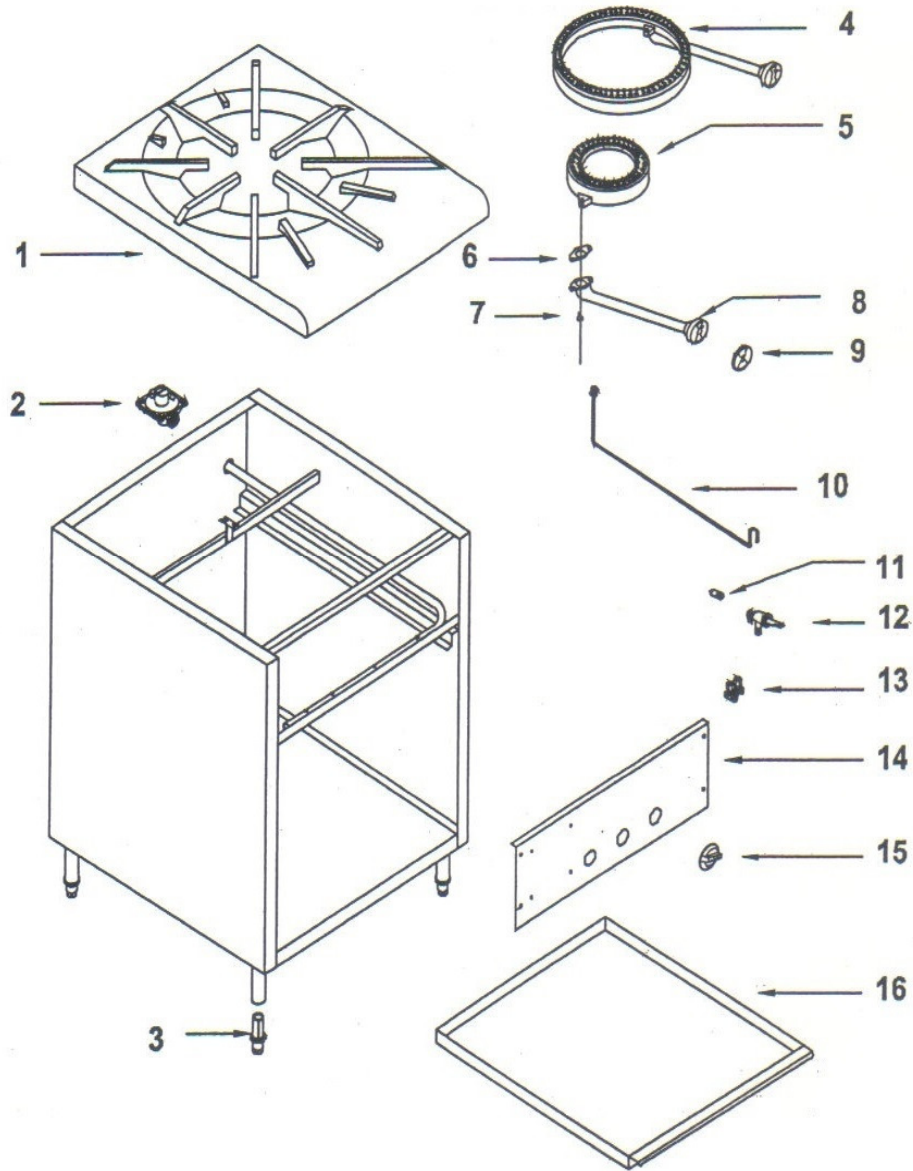


RANKIN-DELUX, INC. MODEL SPR STOCK POT RANGE



WHEN ORDERING PARTS, PLEASE PROVIDE THE FOLLOWING INFORMATION

A. MODEL NUMBER C. PART NUMBER
 B. SERIAL NUMBER D. TYPE OF GAS

ITEM	PART #	DESCRIPTION	LIST \$\$	ITEM	PART #	DESCRIPTION	LIST \$\$
1	SP-01	TOP GRATE (18" X 22")		10	SP-10	PILOT TUBE WITH TIP	
2	SP-02	GAS REGULATOR 3/4", NAT		11	SP-11	ORIFICE, NAT	
2	SP-02A	GAS REGULATOR 3/4", LP		11	SP-11A	ORIFICE, LP	
3	SP-03	BULLET FOOT ONLY		12	SP-12	BURNER VALVE WITHOUT ORIFICE	
4	SP-04	BURNER HEAD - OUTSIDE		13	SP-13	PILOT ADJUSTMENT VALVE - DOUBLE	
5	SP-05	BURNER HEAD - INSIDE		14	SP-14	FRONT PANEL (SPECIFY MODEL)	
6	SP-06	GASKET W/ SCREWS		15	SP-15	KNOB	
7	SP-07	BOLTS - FOR VENTURI		16	SP-180-16	DRIP TRAY FOR SPR-180	
8	SP-08	VENTURI WITH AIR SHUTTER		16	SP-360-16	DRIP TRAY FOR SPR-360	
9	SP-09	AIR SHUTTER ONLY		16	SP-540-16	DRIP TRAY FOR SPR-540	