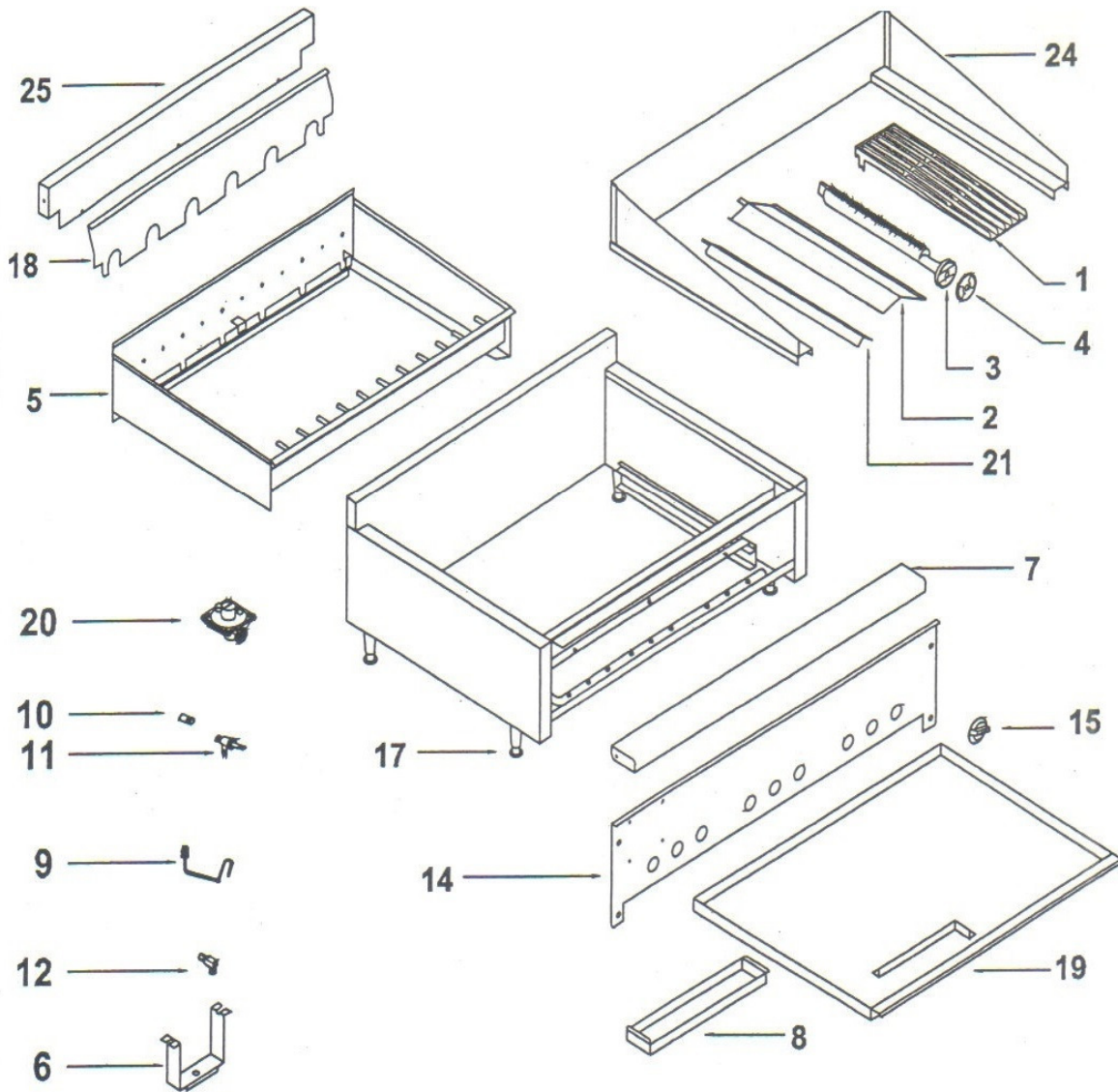


RANKIN-DELUX, INC. MODEL TB-3 INFRARED TYPE TURBO BROILER



WHEN ORDERING PARTS, PLEASE PROVIDE THE FOLLOWING INFORMATION

- A. MODEL NUMBER C. PART NUMBER
 B. SERIAL NUMBER D. TYPE OF GAS

ITEM	PART #	DESCRIPTION	LIST \$\$	ITEM	PART #	DESCRIPTION	LIST \$\$
1	TB-3-01	STANDARD TOP GRATE (5" X 17")		11	TB-3-11	BURNER VALVE WITHOUT ORIFICE	
1	TB-3-01A	FISH GRATE		12	TB-3-12	PILOT ADJUSTMENT VALVE - SINGLE	
2	TB-3-02	STAINLESS STEEL RADIANT		12	TB-3-12A	PILOT ADJUSTMENT VALVE - DOUBLE	
3	TB-3-03	BURNER WITH AIR SHUTTER		14	TB-3-14	FRONT PANEL (SPECIFY MODEL)	
4	TB-3-04	AIR SHUTTER ONLY		15	TB-3-15	KNOB	
5	TB-315-05	RADIANT PAN - FOR TB-315-C		17	TB-3-17	ADJUSTABLE LEG	
5	TB-321-05	RADIANT PAN - FOR TB-321-C		18	TB-3-18	HEAT SHIELD (SPECIFY MODEL)	
5	TB-325-05	RADIANT PAN - FOR TB-325-C		19	TB-315-19	DRIP TRAY - FOR TB-315-C	
5	TB-330-05	RADIANT PAN - FOR TB-330-C		19	TB-321-19	DRIP TRAY - FOR TB-321-C	
5	TB-336-05	RADIANT PAN - FOR TB-336-C		19	TB-325-19	DRIP TRAY - FOR TB-325-C	
6	TB-3-06	PILOT BRACKET - DOUBLE		19	TB-330-19	DRIP TRAY - FOR TB-330-C	
6	TB-3-06A	PILOT BRACKET - SINGLE		19	TB-336-19	DRIP TRAY - FOR TB-336-C	
7	TB-3-07	FRONT CAP (SPECIFY MODEL)		20	TB-3-20	REGULATOR 3/4", NAT	
8	TB-3-08	GREASE PAN / TRAY (3-1/4" X 15")		20	TB-3-20A	REGULATOR 3/4", L.P.	
9	TB-3-09	PILOT TUBE WITH TIP - FOR DOUBLE ADJ. VALVE		21	TB-3-21	S/S BAFFLE	
9	TB-3-09A	PILOT TUBE WITH TIP - FOR SINGLE ADJ. VALVE		24	TB-3-24	REMOVABLE BACK SPLASH (SPECIFY MODEL)	
10	TB-3-10	ORIFICE, NAT		25	TB-3-25	BACK CAP (SPECIFY MODEL)	
10	TB-3-10A	ORIFICE, L.P.					