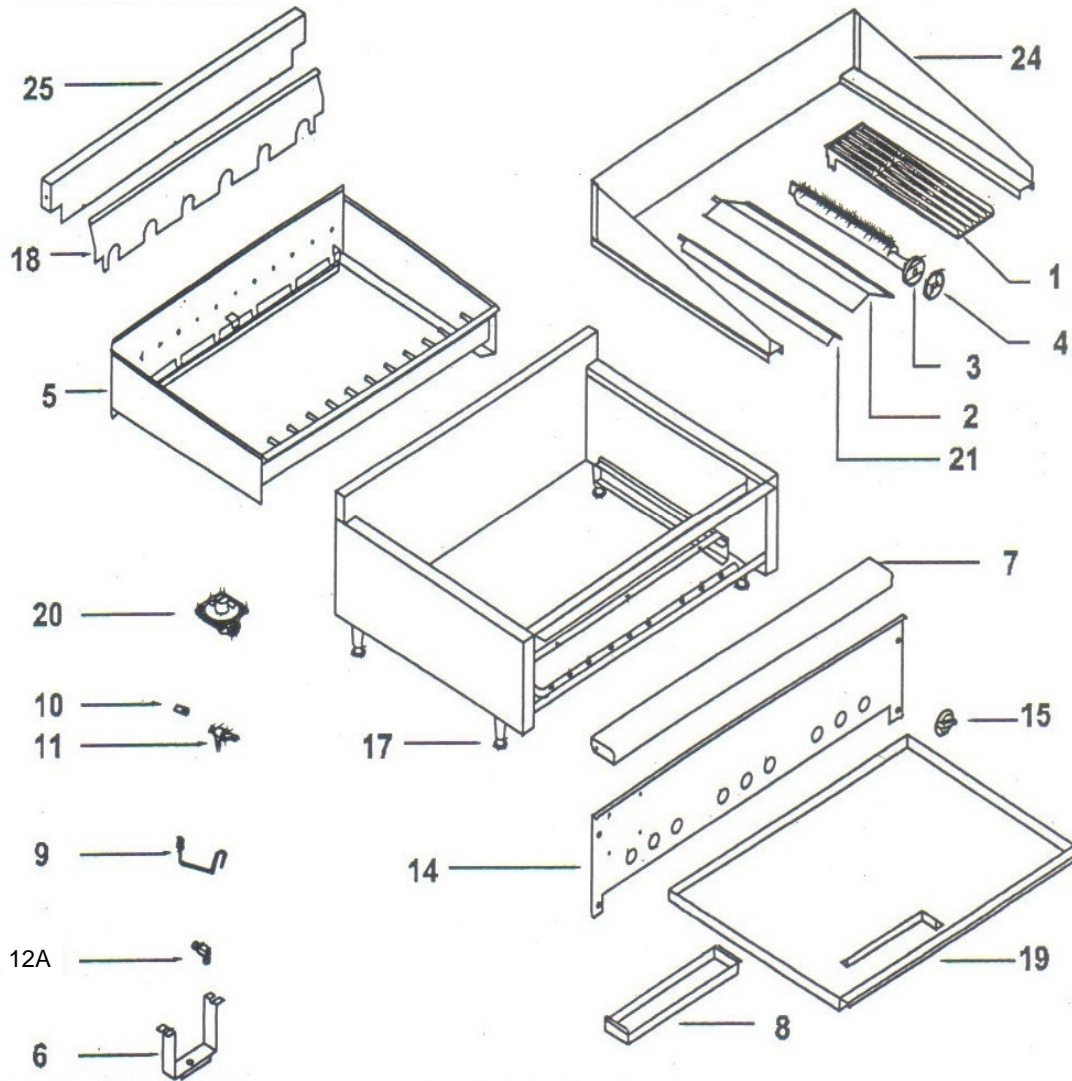


RANKIN-DELUX, INC. TB-8 INFRARED TYPE TURBO BROILER



WHEN ORDERING PARTS, PLEASE PROVIDE THE FOLLOWING INFORMATION

- A. MODEL NUMBER C. PART NUMBER
B. SERIAL NUMBER D. TYPE OF GAS

11/19/2013

ITEM	PART #	DESCRIPTION	LIST \$\$	ITEM	PART #	DESCRIPTION	LIST \$\$
1	TB-01	STANDARD TOP GRATE (5" X 23")		11	TB-11	BURNER VALVE WITHOUT ORIFICE	
1	TB-01A	FISH GRATE		12	TB-12	PILOT ADJUSTMENT VALVE - DOUBLE	
2	TB-02	STAINLESS STEEL RADIANT		12	TB-12A	PILOT ADJUSTMENT VALVE - SINGLE	
3	TB-03	BURNER WITH AIR SHUTTER		14	TB-14	FRONT PANEL (SPECIFY MODEL)	
4	TB-04	AIR SHUTTER ONLY		15	TB-15	KNOB	
5	TB-15-05	RADIANT PAN - FOR TB815-C		17	TB-17	ADJUSTABLE LEG	
5	TB-21-05	RADIANT PAN - FOR TB821-C		18	TB-18	HEAT SHIELD (SPECIFY MODEL)	
5	TB-25-05	RADIANT PAN - FOR TB825-C		19	TB-15-19	DRIP TRAY - FOR TB815-C	
5	TB-30-05	RADIANT PAN - FOR TB830-C		19	TB-21-19	DRIP TRAY - FOR TB821-C	
5	TB-36-05	RADIANT PAN - FOR TB836-C		19	TB-25-19	DRIP TRAY - FOR TB825-C	
5	TB-41-05	RADIANT PAN - FOR TB841-C		19	TB-30-19	DRIP TRAY - FOR TB830-C	
5	TB-46-05	RADIANT PAN - FOR TB846-C		19	TB-36-19	DRIP TRAY - FOR TB836-C	
5	TB-60-05	RADIANT PAN - FOR TB860-C		19	TB-41-19	DRIP TRAY - FOR TB841-C	
5	TB-72-05	RADIANT PAN - FOR TB872-C		19	TB-46-19	DRIP TRAY - FOR TB846-C	
5	TB-84-05	RADIANT PAN - FOR TB884-C		19	TB-60-19	DRIP TRAY - FOR TB860-C (BEFORE 12/18/98 1 REQUIRED)	
6	TB-06	PILOT BRACKET - DOUBLE		19	TB-60-19A	DRIP TRAY - FOR TB860-C (2 REQUIRED)	
6	TB-06A	PILOT BRACKET - SINGLE		19	TB-72-19	DRIP TRAY - FOR TB872-C (2 REQUIRED)	
7	TB-07	FRONT CAP (SPECIFY MODEL)		19	TB-84-19	DRIP TRAY - FOR TB884-C (2 REQUIRED)	
8	TB-08	GREASE PAN / TRAY (3-1/4" X 15")		20	TB-20	GAS REGULATOR 3/4", NAT	
9	TB-09	PILOT TUBE WITH TIP - FOR DOUBLE ADJ. VALVE		20	TB-20A	GAS REGULATOR 3/4", LP	
9	TB-09A	PILOT TUBE WITH TIP - FOR SINGLE ADJ. VALVE		21	TB-21	STAINLESS STEEL BAFFLE	
10	TB-10	ORIFICE, NAT		24	TB-24	REMOVABLE SPLASH (SPECIFY MODEL)	
10	TB-10A	ORIFICE, LP		25	TB-25	BACK CAP (SPECIFY MODEL)	