

Quality at an affordable price

RANKIN-DELUX®

COMMERCIAL COOKING EQUIPMENT

**TEPPAN-YAKI
GRIDDLE**
MODEL RTYG SERIES
Gas Operated



The Rankin-Delux RTYG Series Teppan-Yaki Griddle is designed for the Japanese Chef. It incorporates the traditional Rankin-Delux quality and engineering with features not found on other makes.

Its highly polished cooking surface is made from a steel alloy to ensure consistent results over years of hard use. The optional 1/4" stainless steel splash on sides and rear confines the oil to the cooking surface assuring the user of a clean and sanitary preparation area.

A standard Dual Ring Burner provides complete cooking control throughout the cooking period. Rankin-Delux Teppan-Yaki Griddles are available in 3/4" or 1" griddle plates.

Quality at an affordable price.

Designed for Commercial
Use Only

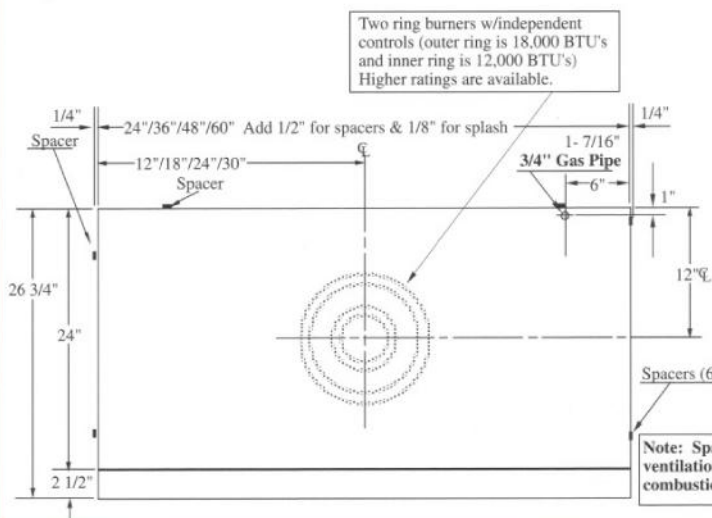
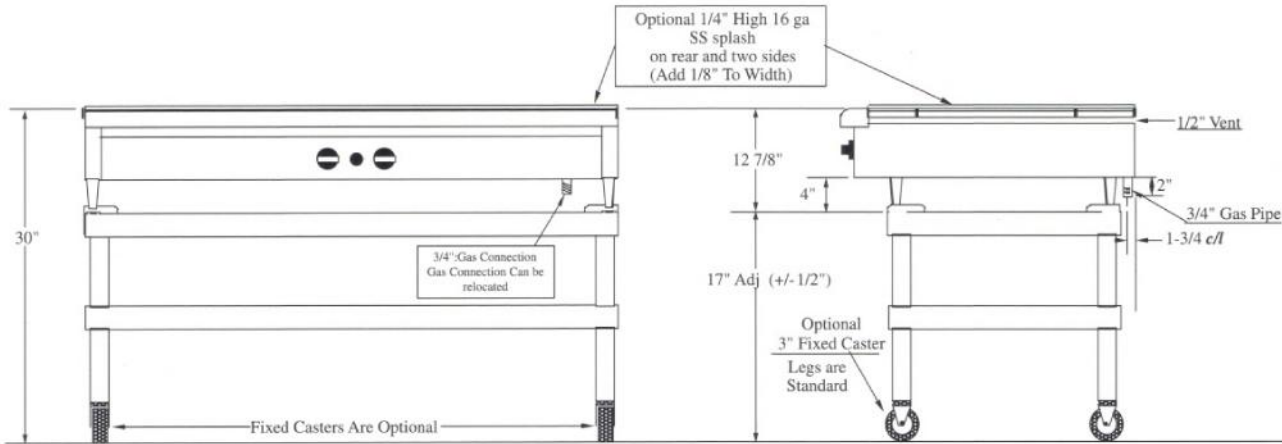
RANKIN-DELUX, INC.

3245 CORRIDOR DRIVE
EASTVALE, CA 91752 U.S.A.

T : (951) 685-0081 F : (951) 685-0084
WEBSITE : WWW.RANKINDELUX.COM

TEPPAN-YAKI JAPANESE GRIDDLE

RTYG SERIES



TEPPANYAKI GRIDDLE				SHIP WT.	
MODEL NO.	WIDTH	O.A. DEPTH	HEIGHT	3/4"	1"
RTYG-24	24-1/2"	26-3/4"	12-7/8"	195	236
RTYG-36	36-1/2"	26-3/4"	12-7/8"	300	361
RTYG-48	48-1/2"	26-3/4"	12-7/8"	375	457
RTYG-60	60-1/2"	26-3/4"	12-7/8"	N/A	592

Specifications are subject to change without notice

BURNER: Standard Dual Ring Burner. Use both rings to bring cooking surface up to temperature in the shortest possible time. The inner burner ring can then be shut down to provide optimum performance.

LEGS: Adjustable legs are provided to enable the user to adjust the body of the griddle for a level top surface.

PILOT: Constant pilots are furnished for automatic lighting. Safety Pilots are available at additional cost.

NOTE: TEPPAN-YAKI GRIDDLES ARE CUSTOM MANUFACTURED AND NON-CANCELABLE ONCE PRODUCTION HAS BEGUN. A SIGNED, APPROVED DRAWING IS REQUIRED FOR ALL ORDERS.

WARNING: GRIDDLE MUST NOT BE SEALED TO COUNTER. A PRESSURE REGULATOR IS FURNISHED AND MUST BE USED. OBSERVE CLEARANCES AND ALL FEDERAL, STATE, AND LOCAL CODES BEFORE CONSTRUCTING TABLES.

FINISH: Stainless steel front panel and aluminized steel sides.

OPTIONS: 3/4" (-1) Griddle Plate or 1" (-2) Griddle Plate is available (please specify). Safety pilots, stainless steel splash, stainless steel top frame, 2-1/2" stainless steel gutter and grease drawer, stands and casters are all available at additional cost.

DESIGNED FOR COMMERCIAL USE ONLY

RANKIN-DELUX, INC.

3245 CORRIDOR DRIVE, EASTVALE CA 91752
 T: 951-685-0081 F: 951-685-0084