

Quality at an affordable price
RANKIN-DELUX[®]
COMMERCIAL COOKING EQUIPMENT



STOCK POT RANGE
DUAL RING BURNER
GAS OPERATED

STOCK POT RANGE

Individually Controlled
Dual Ring Burners

50,000 B.T.U.
Natural or Propane Gas

One piece heavy cast iron top grates with "center slope" design for spill over control, with full rib coverage for easy handling of all sizes of utensils.



HEAVY DUTY ALL WELDED BODY



MODEL SPR-180-C



This ruggedly built stock pot range features a dual ring burner specially designed for high performance and energy efficiency. The center portion of the burner is 15,000 B.T.U. and the outer portion is 35,000 B.T.U.. Each section is individually controlled to produce high temperatures or a low simmering heat.

Available in one, two, or three sections.

MODEL SPR-360-C

Quality at an affordable price.

Designed for Commercial
Use Only

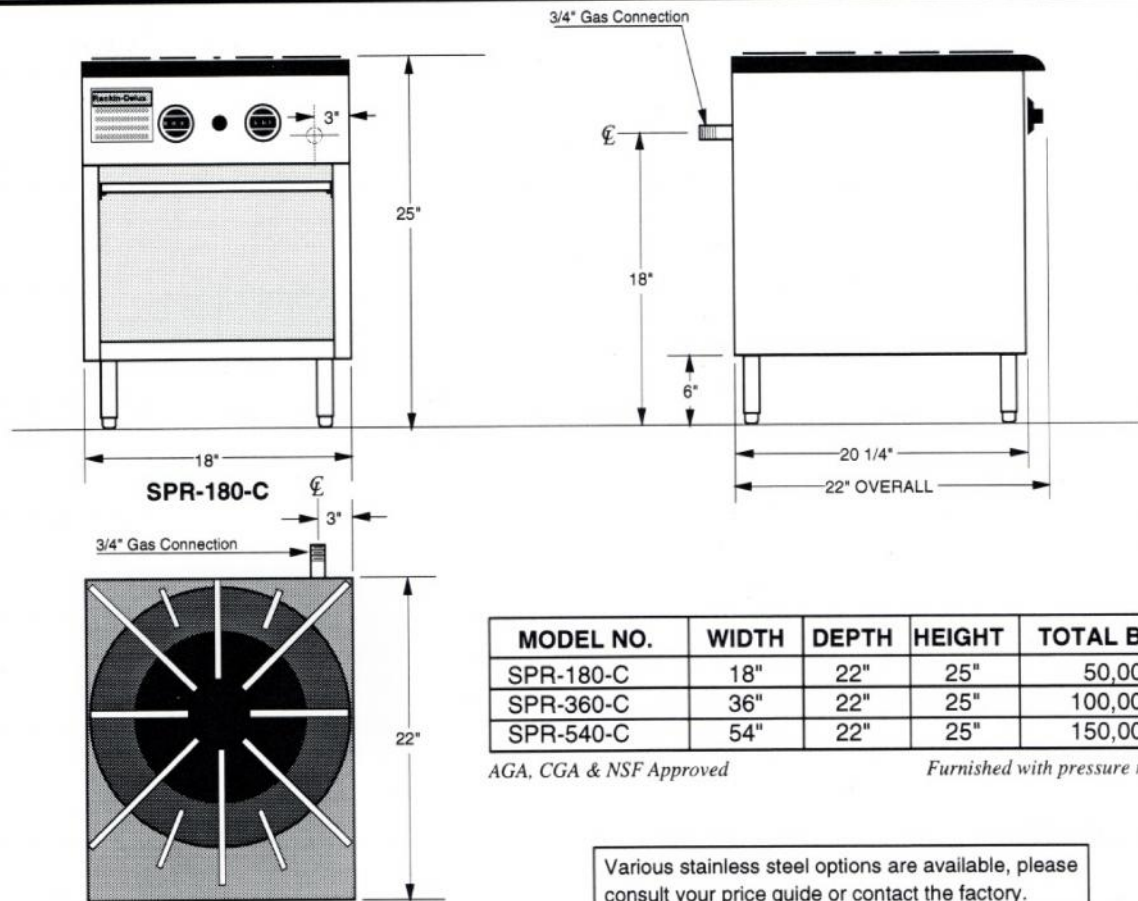
RANKIN-DELUX, INC.

3245 CORRIDOR DRIVE
EASTVALE, CA 91752 U.S.A.

T : (951) 685-0081 F : (951) 685-0084
WEBSITE : WWW.RANKINDELUX.COM

STOCK POT RANGE

SPR SERIES



MODEL NO.	WIDTH	DEPTH	HEIGHT	TOTAL BTU's
SPR-180-C	18"	22"	25"	50,000
SPR-360-C	36"	22"	25"	100,000
SPR-540-C	54"	22"	25"	150,000

AGA, CGA & NSF Approved

Furnished with pressure regulator

Various stainless steel options are available, please consult your price guide or contact the factory.

CLEARANCES TO:
 COMBUSTIBLES: SIDES 8" BACK 8"
 NONCOMBUSTIBLES: 0" 0"

Specifications are subject to change without notice.

FINISH: Stainless steel valve panel with balance in electrostatically applied *Deluxtone Electro Finish.

CONSTRUCTION: All welded heavy gauge steel frame.

LEGS: Heavy duty 1 5/8" diameter with adjustable bullet feet.

TOP GRATES: Grates shall be a one piece heavy duty cast iron top, with "center-slope" design for spill over control. Top shall have full ridge coverage for ease of handling all sizes of heavy utensils.

CRUMB TRAY: Full width crumb tray made from heavy gauge aluminized steel, all welded construction.

BURNERS: Each grate shall be furnished with a dual ring burner for the ultimate in heat control. Each ring will be individually controlled to enable the user to produce high temperature heat fast or a low simmering flame when required. The outer ring is rated at 35,000 BTU's and the inner ring is rated at 15,000 BTU's.

GAS CONNECTION: 3/4" gas pipe inlet located at the right rear of the cabinet.

*Deluxtone Electro Finish is a special granite like finish of a charcoal gray color. This finish is electrostatically applied and heat fused to the metal for an extra durable scratch resistant finish.

DESIGNED FOR COMMERCIAL USE ONLY

RANKIN-DELUX, INC.

3245 CORRIDOR DRIVE, EASTVALE CA 91752
 T: 951-685-0081 F: 951-685-0084