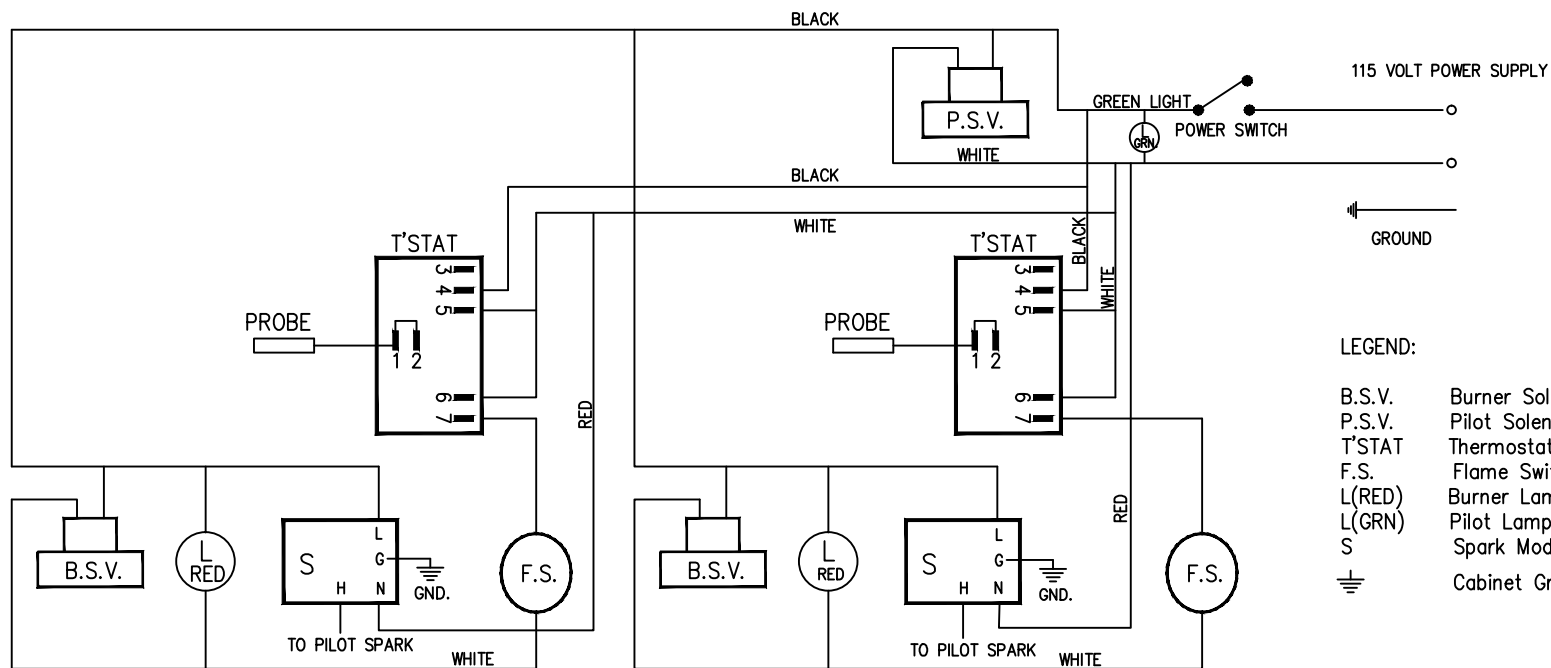


# WITH SM2 MODULE AND FLAME SWITCH



LEGEND:

- B.S.V. Burner Solenoid Valve
- P.S.V. Pilot Solenoid Valve
- T'STAT Thermostat
- F.S. Flame Switch
- L(RED) Burner Lamp
- L(GRN) Pilot Lamp
- S Spark Module
- ⏏ Cabinet Ground

WIRING DIAGRAM FOR ONE THERMOSTAT OPERATING ONE BURNER

WIRING DIAGRAM FOR ONE THERMOSTAT OPERATING ONE BURNER

**RANKIN DELUX, INC.**  
 3245 CORRIDOR DR  
 MIRA LOMA CA 91752

TOLERANCES:  
 UNLESS NOTED  
 .X ± .1  
 .XX ± .031  
 ANGLE ± .5°  
 FRACTION ± 1/32

SCALE: 1=1	RER'Q 1	MAT'L: -	DRAWN BY: L.V.
SHEET 1	OF 1	-	DATE: 10/28/03
MODEL: RD85-SAE/RD-100			CHK' BY: -
TITLE: WIRING DIAGRAM			REVISED: -
			DRAWING NUMBER: WIRE-15000