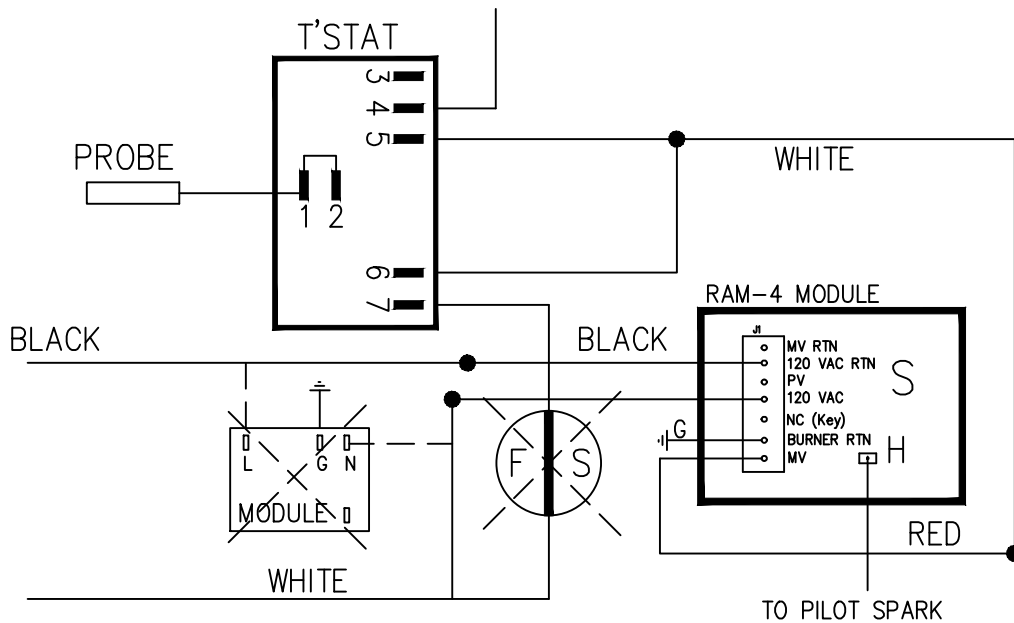


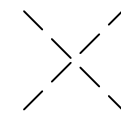
# REPLACE FLAME SWITCH WITH RAM-4 MODULE - INSTRUCTIONS



PART NO: RD-FS-21

## RETROFIT KIT FOR FLAME SWITCH

1. RAM-4 MODULE
2. MOUNTING BRACKET WITH SCREWS(4)
3. MOLEX CONNECTOR WITH WIRE HARNESS
4. HV WIRE WITH CONNECTOR



REMOVE EXISTING MODULE AND FLAME SWITCH

REMOVE BLACK WIRE FROM 'L' ON EXISTING MODULE - CONNECT TO BLACK WIRE FROM '120 VAC RTN' FROM THE RAM-4 MODULE

REMOVE RED WIRE FROM 'N' ON THE EXISTING MODULE - CONNECT TO WHITE WIRE FROM '120 VAC' FROM THE RAM-4 MODULE

REMOVE GREEN WIRE FROM 'G' ON THE EXISTING MODULE - CONNECT TO GREEN WIRE FROM 'BURNER RTN' FROM THE RAM-4 MODULE

CONNECT WIRE FROM TERMINAL 5 FROM THE T'STAT TO THE RED WIRE FROM 'MV' ON THE RAM-4 MODULE

BY-PASS THE FLAME SWITCH BY JOINING THE WIRES TOGETHER

DISCONNECT THE PILOT 'HV' WIRE FROM THE EXISTING MODULE AND JOIN WITH THE HV WIRE FROM THE 'H' TERMINAL ON THE RAM-4 MODULE

REV	DESCRIPTION	DATE	BY	SCALE: 1=1	RER'Q 1	MATL:	DRAWN BY:
	<b>RANKIN DELUX, INC.</b> 3245 CORRIDOR DR MIRA LOMA, CA, 91752	TOLERANCES: UNLESS NOTED		SHEET 1	OF 1	-	L.V.
		.X ± .1				-	DATE: 3/22/12
		.XX ± .031					MODEL: RD85/100
	ANGLE ± .5°						REVISED: A
	FRACTION ± 1/32					TITLE: RETROFIT INSTRUCTIONS	DRAWING NUMBER: FS-Retrofit